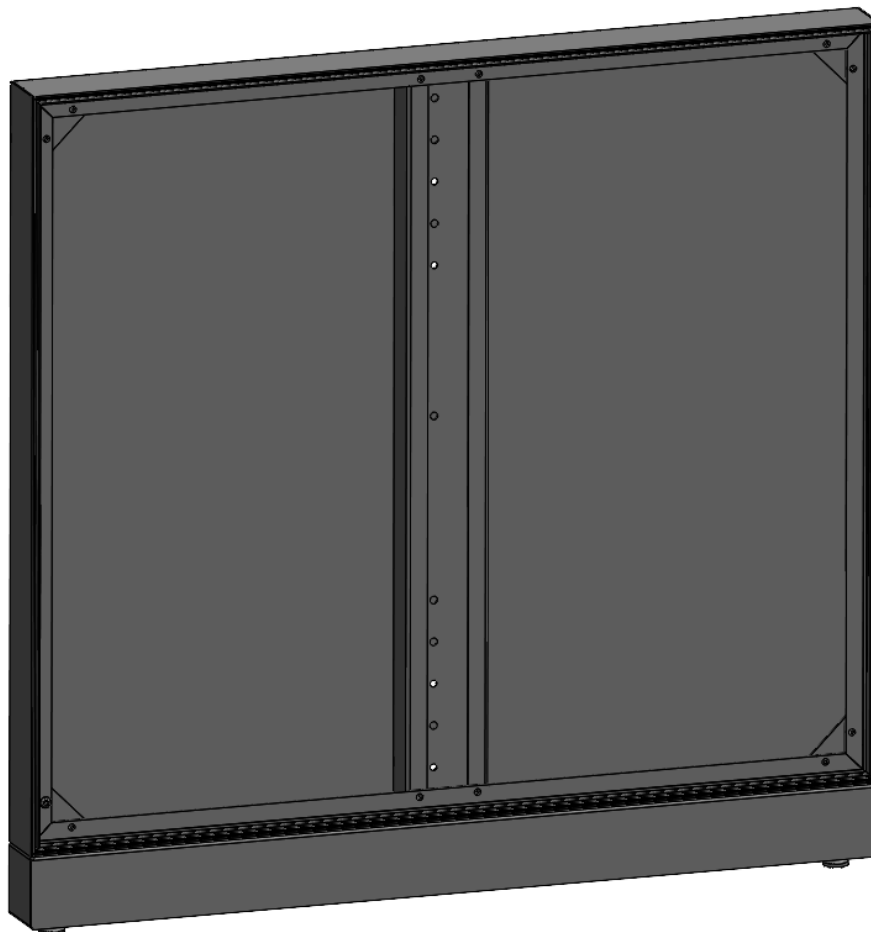


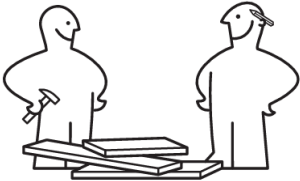
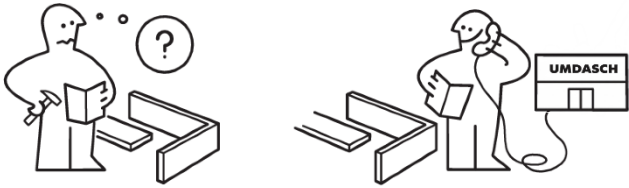

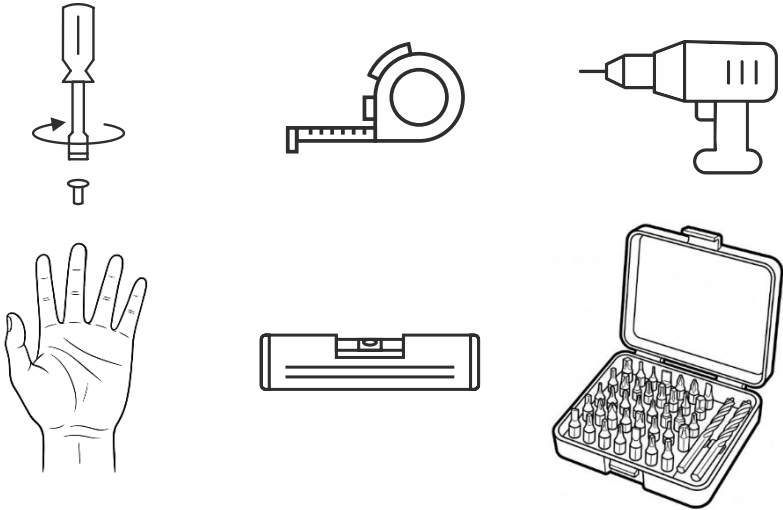
GONDOLA WITH A FRAME FOR GRAPHICS



ASSEMBLY INSTRUCTIONS

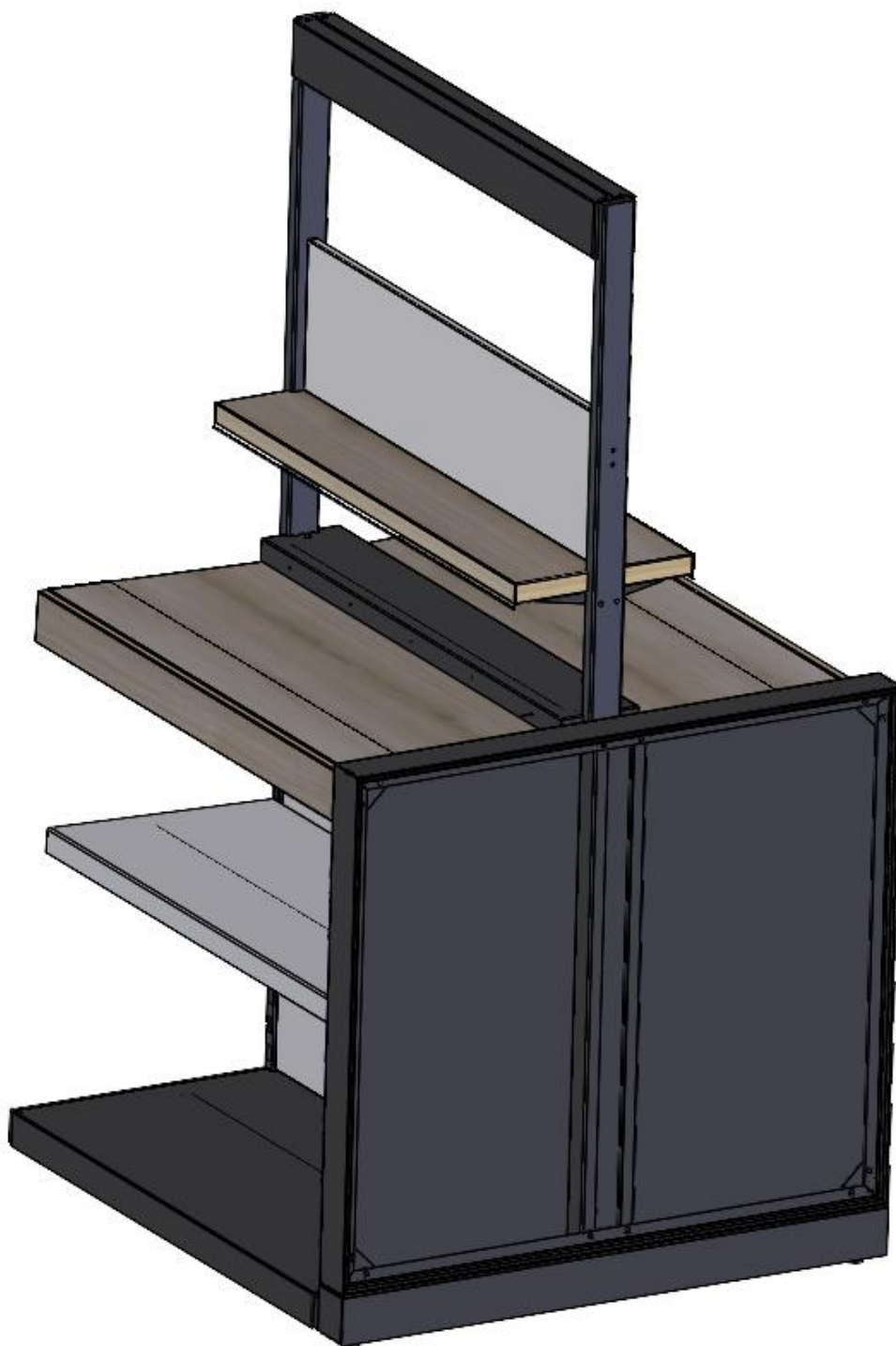
STI-3-003

STIHL

	<p>1 person required for assembly 1 box Weight 15 kg</p>
	<p>Ivo Fryauf: ivo.fryauf@umdasch.com +420724303815 Václav Dopita: +420727861651 vaclav.dopita@umdasch.com</p>
	<p>Recommended protective equipment</p>
	<p>Tools required for assembly</p>



Attaching the GONDOLA to the BASE GONDOLA

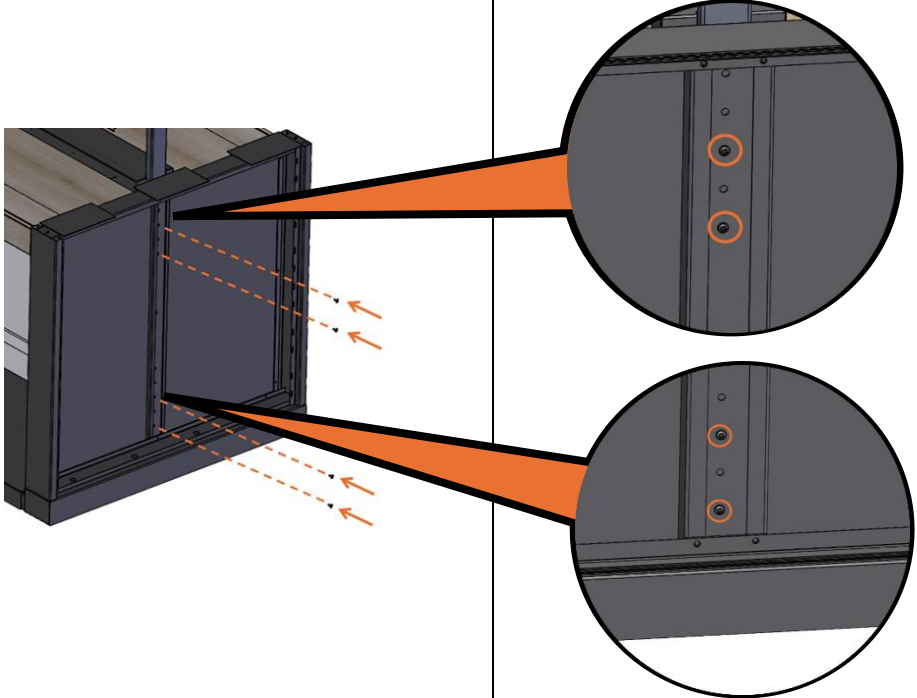


ASSEMBLY INSTRUCTIONS

STI-3-003

STIHL

1



Screw M6x12 ISO7141 - 4 pcs

Place the gondola next to the base gondola and fasten it with four screws. The base gondola is already equipped with threaded-insert holes.





We make successful stores.

umdasch Story Design s.r.o.,

umdasch Story Design a.s. Moravská 949, 57001 Litomyšl, Czechia

www.umdasch.com | [A company of Umdasch Group](#)

