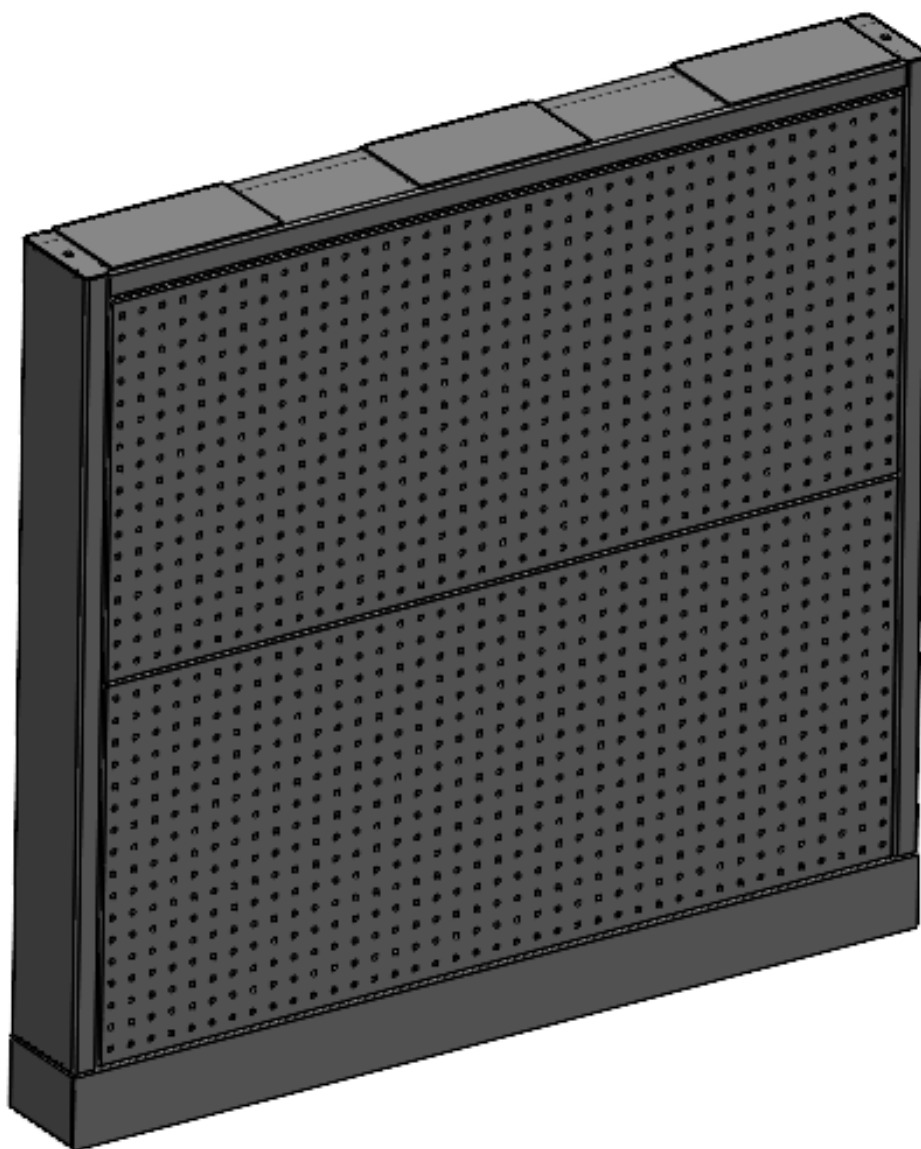


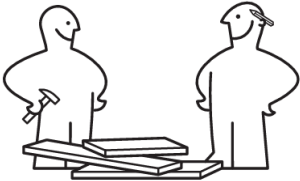
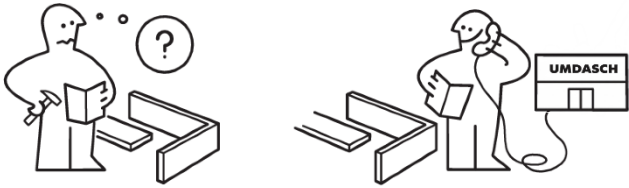

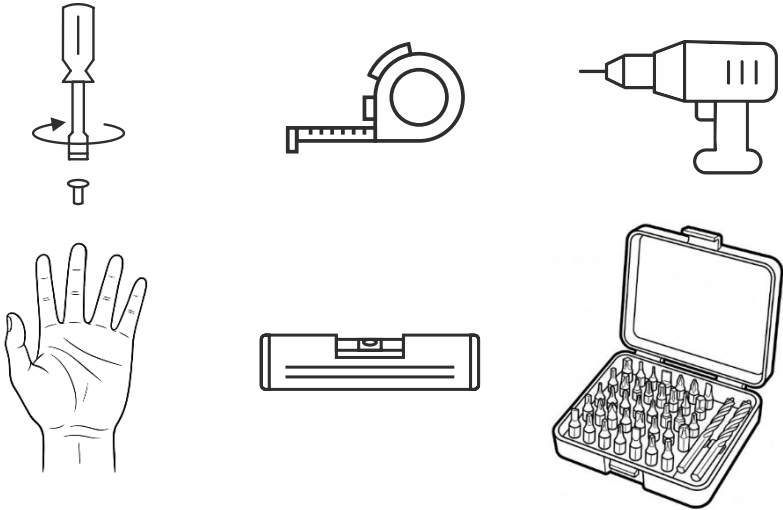
GONDOLA WITH PERFORATED SHEET METAL



ASSEMBLY INSTRUCTIONS

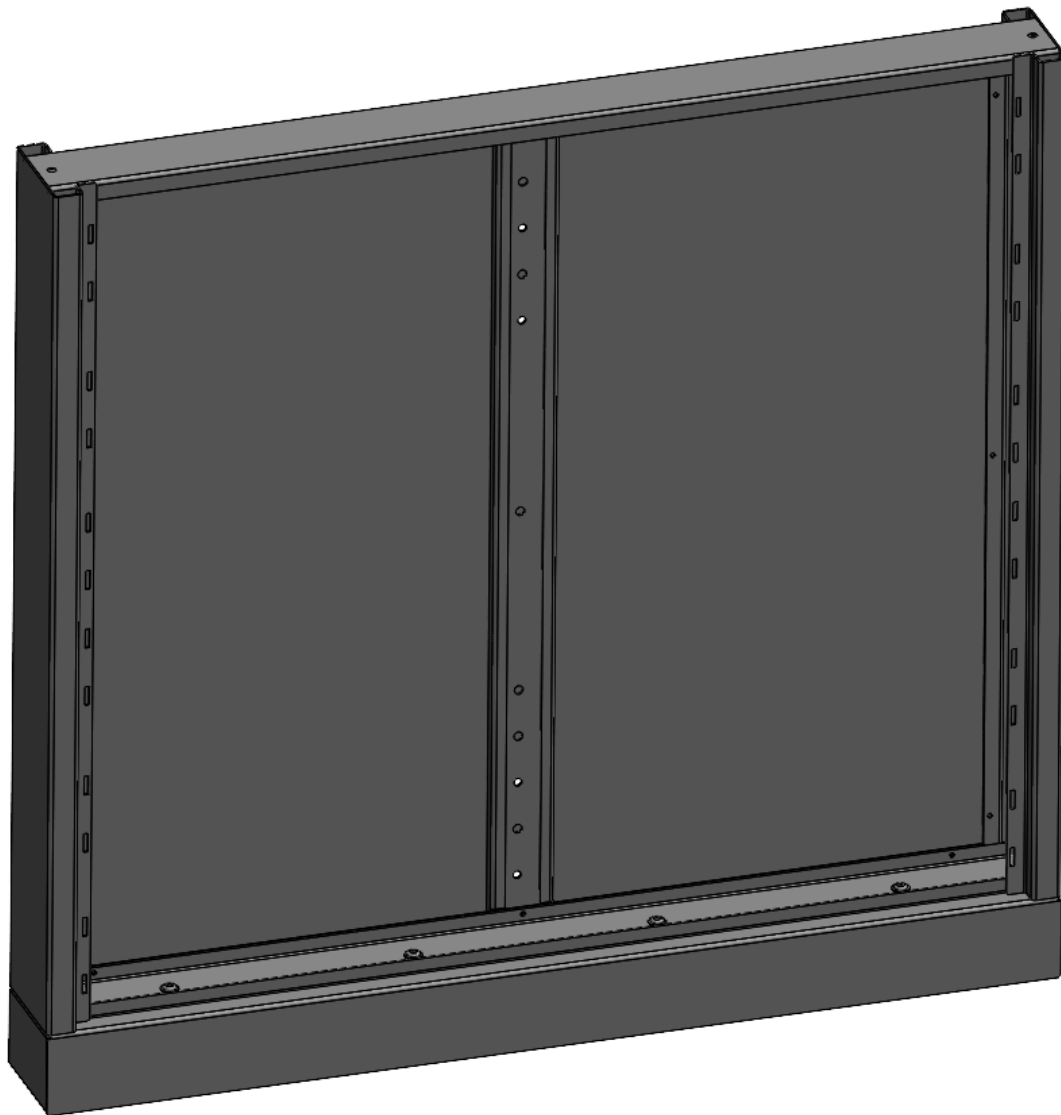
STI-3-003

STIHL

	<p>1 person required for assembly 1 box Weight 18 kg</p>
	<p>Ivo Fryauf: ivo.fryauf@umdasch.com +420724303815 Václav Dopita: +420727861651 vaclav.dopita@umdasch.com</p>
	<p>Recommended protective equipment</p>
	<p>Tools required for assembly</p>

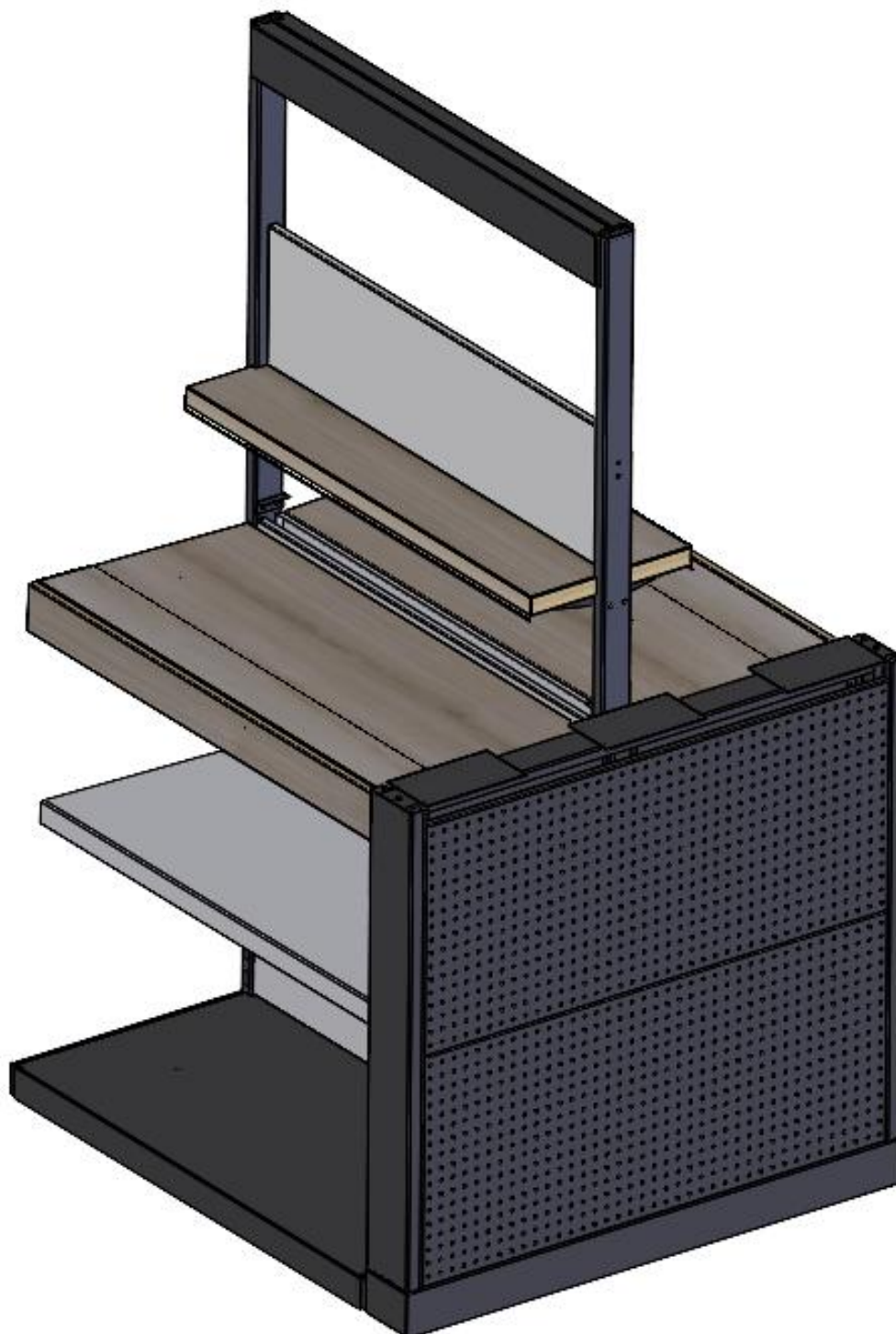


Partial dismantling of the GONDOLA for attachment to the BASE GONDOLA

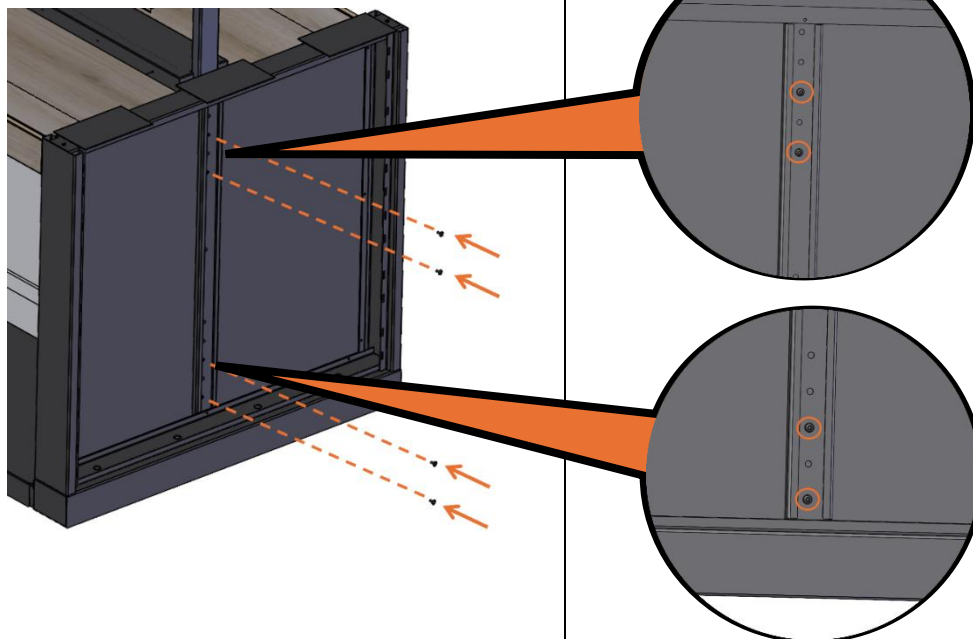


<p>1</p>		<p>The gondola is delivered in an assembled state; therefore, it must be partially disassembled before mounting it to the base gondola. This partial disassembly provides access to the mounting holes. Unscrew the two screws on the top cover and remove the cover from the gondola.</p>
<p>2</p>		<p>To remove the perforated panels, first slide one of the panels upward by approximately 10 mm and then pull the panel toward yourself. The panel is held on the frame by hooks. Repeat the same procedure with the second panel.</p>

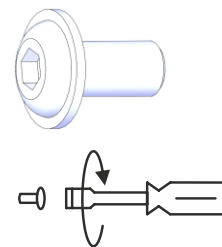
Attaching the GONDOLA to the BASE GONDOLA



1

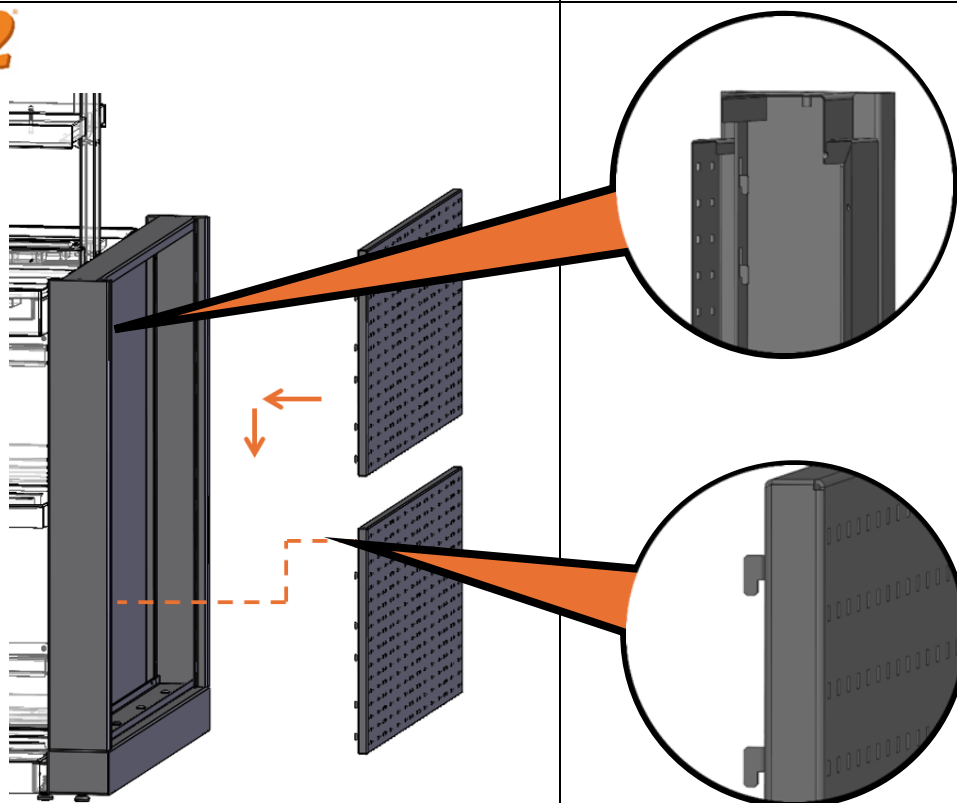


Screw M6x12 ISO7141 - 4 pcs

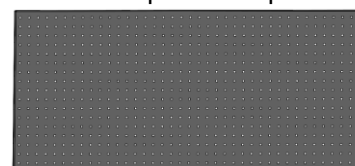


Place the gondola next to the base gondola and fasten it with four screws. The base gondola is already equipped with threaded-insert holes.

2



Perforated panel - 2 pcs

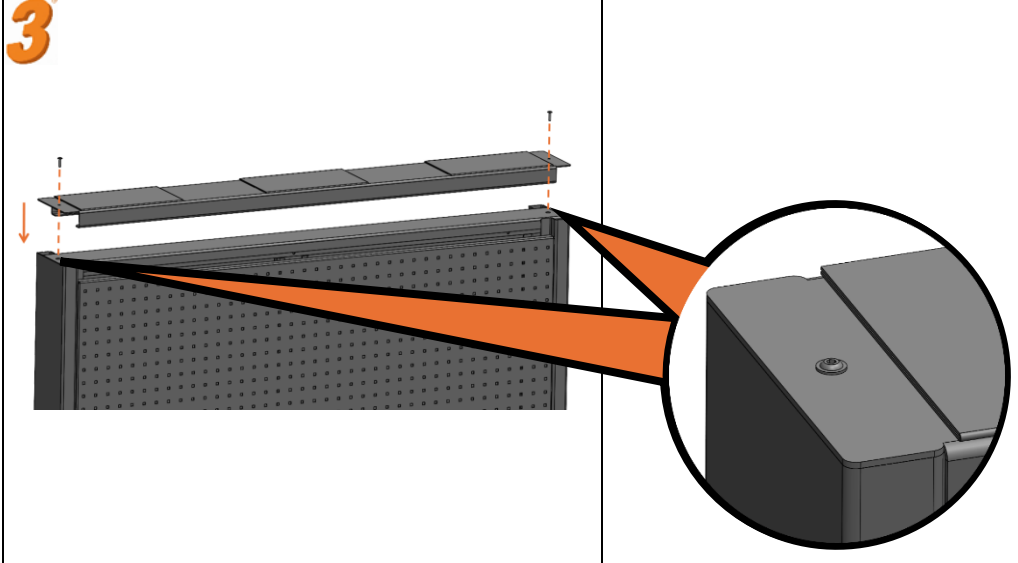
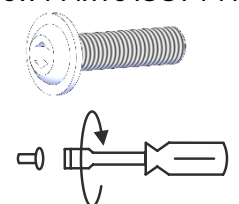


Reinstall the perforated panels. First, slide the lower panel horizontally into the openings in the frame and then lower it vertically, thereby hanging it onto the hooks. Repeat the same procedure with the upper panel.

ASSEMBLY INSTRUCTIONS

STI-3-003

STIHL

<p>3</p> 		<p>Screw M4x16 ISO7141 - 2 pcs</p>  <p>Reinstall the top cover and fasten it with two screws.</p>
---	--	--





We make successful stores.

umdasch Story Design s.r.o.,

umdasch Story Design a.s. Moravská 949, 57001 Litomyšl, Czechia

www.umdasch.com | [A company of Umdasch Group](#)

