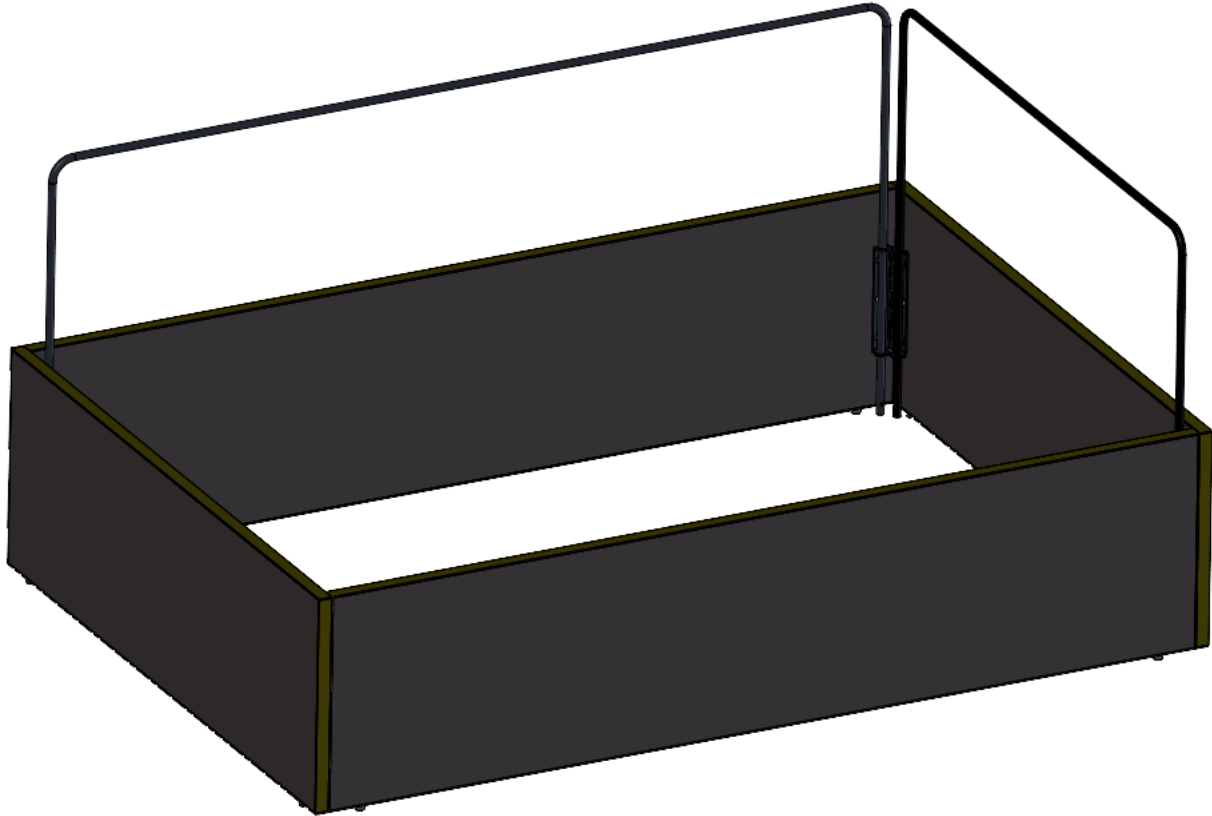


Pallet cover assembly for the display stand



total weight 85 kg

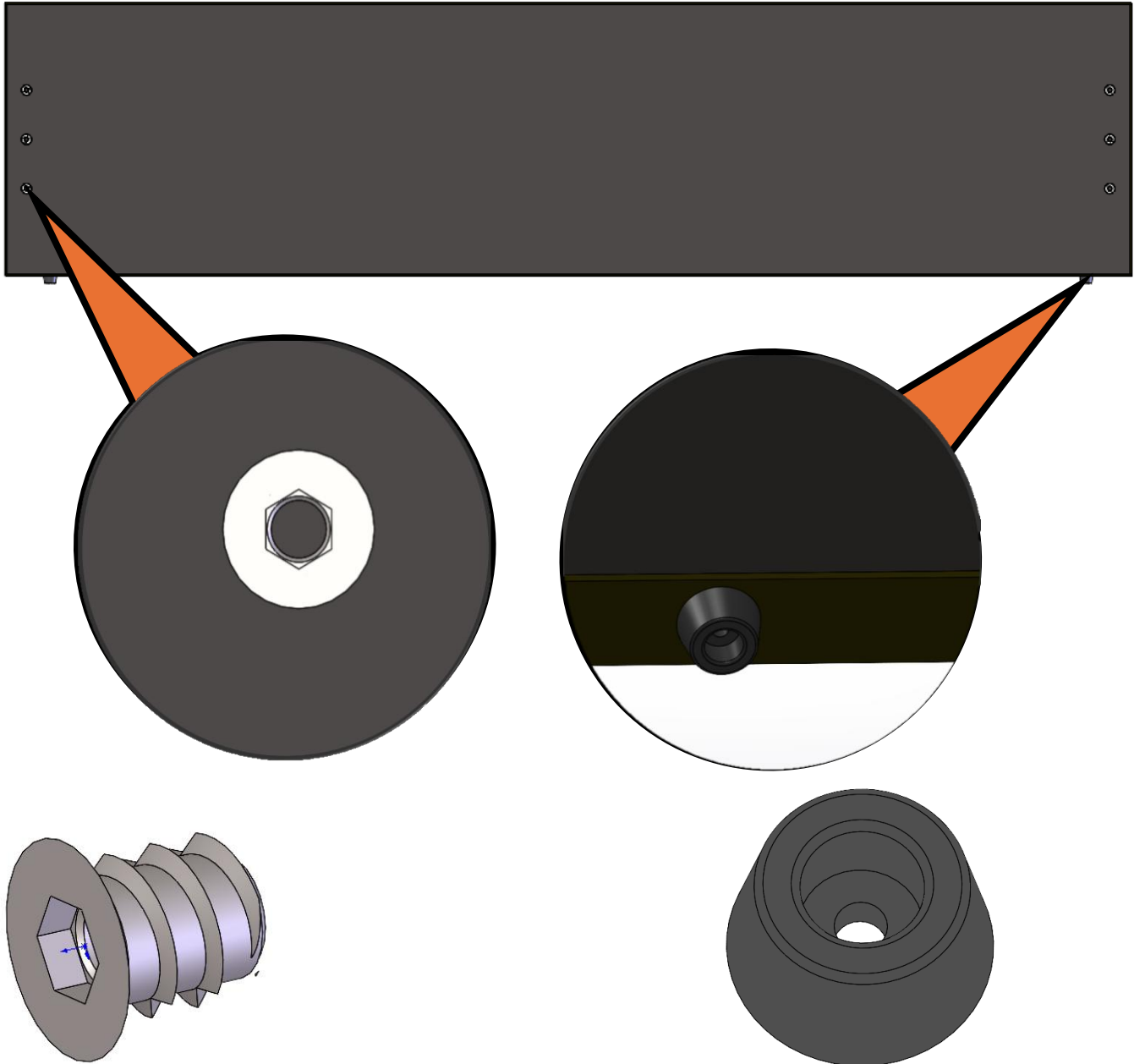
ASSEMBLY INSTRUCTIONS

0463-595-7047

STIHL

Threaded inserts are screwed into the laminate parts (2 short pieces and 2 long pieces) – 6 pcs per part, 24 pcs in total.

Glides are attached to each part using screws. The glides are positioned on the edge of the part, 50 mm from the end (the threaded inserts are arranged symmetrically on the part, therefore the choice of edge for mounting the glides is not critical).



Cotter nut with collar M5x10, DIN 7965, 24 pcs.

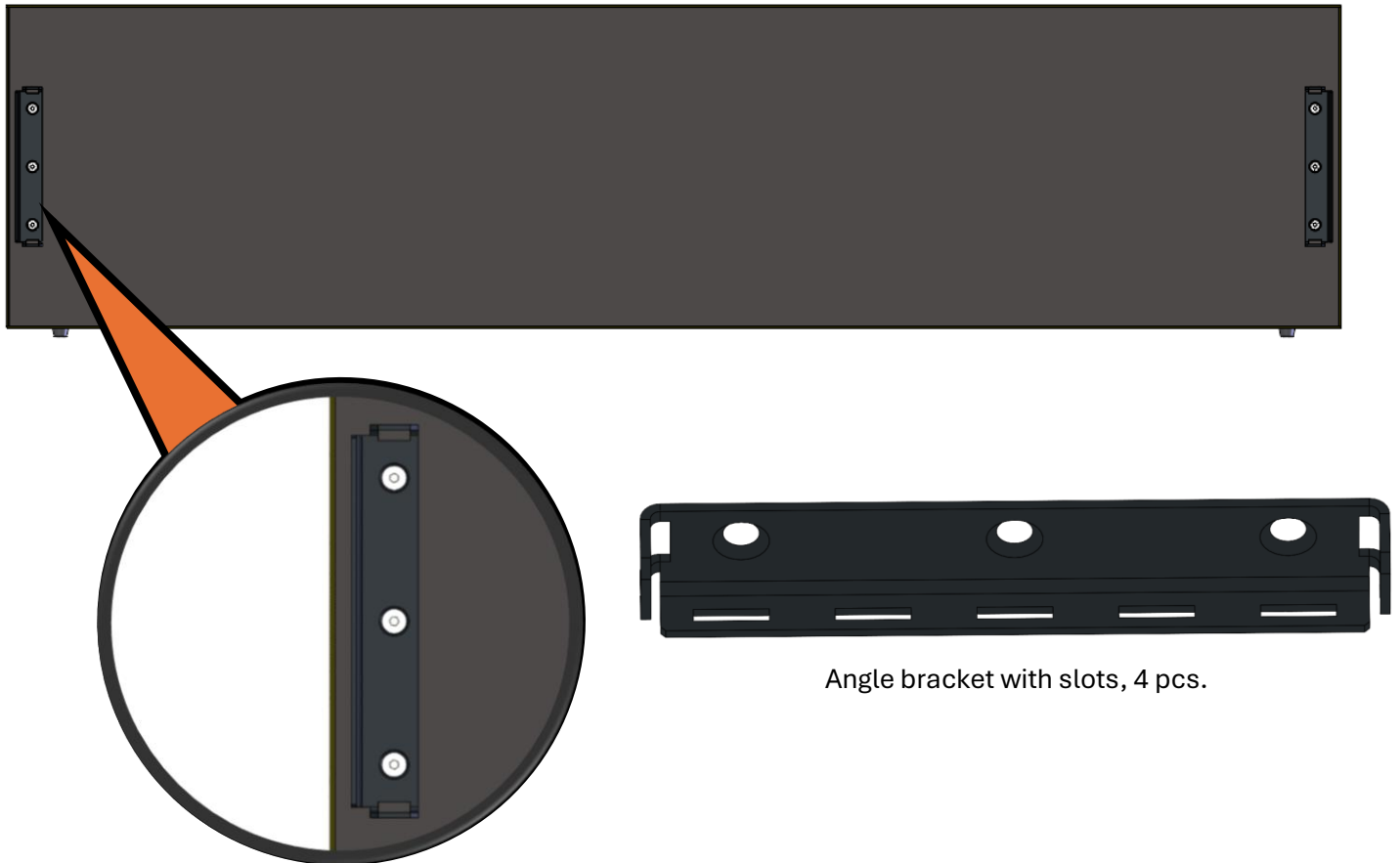
Glide Rubber Stainless Steel Screw 4x16 DIN 7981, 8 pcs

ASSEMBLY INSTRUCTIONS

0463-595-7047

STIHL

Angle brackets with slots are screwed onto two parts (1240 mm long). Two brackets are mounted on each part, each fixed with three screws. The slots in the angle bracket will be closer to the edge of the part.



Angle bracket with slots, 4 pcs.



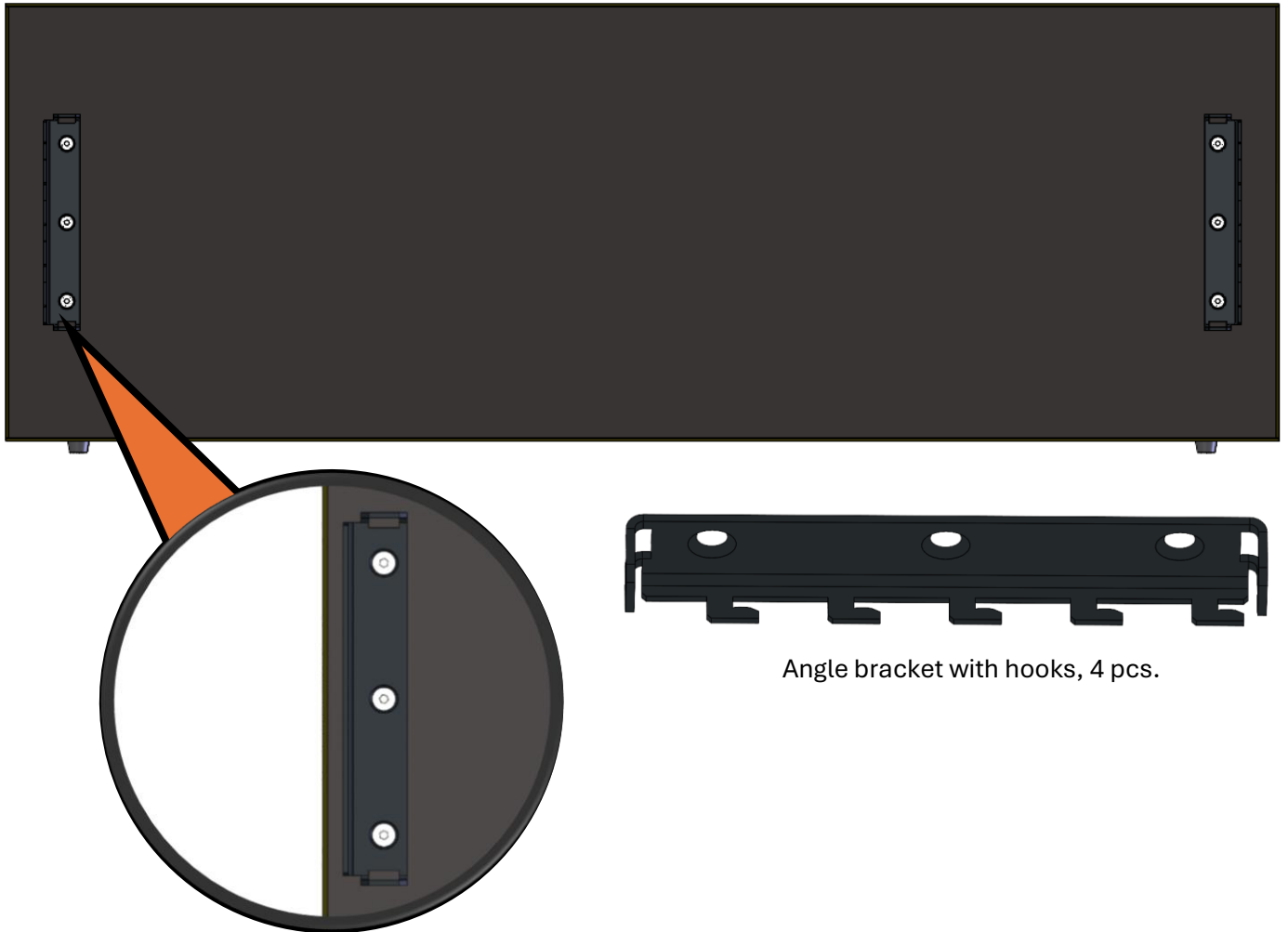
Countersunk head screw, inbus M5x12 DIN 7991, A2. 12 pcs

ASSEMBLY INSTRUCTIONS

0463-595-7047

STIHL

Angle brackets with hooks are screwed onto two parts (875 mm long). Two brackets are mounted on each part, each fixed with three screws. The hooks in the angle bracket will be closer to the edge of the part.



Angle bracket with hooks, 4 pcs.



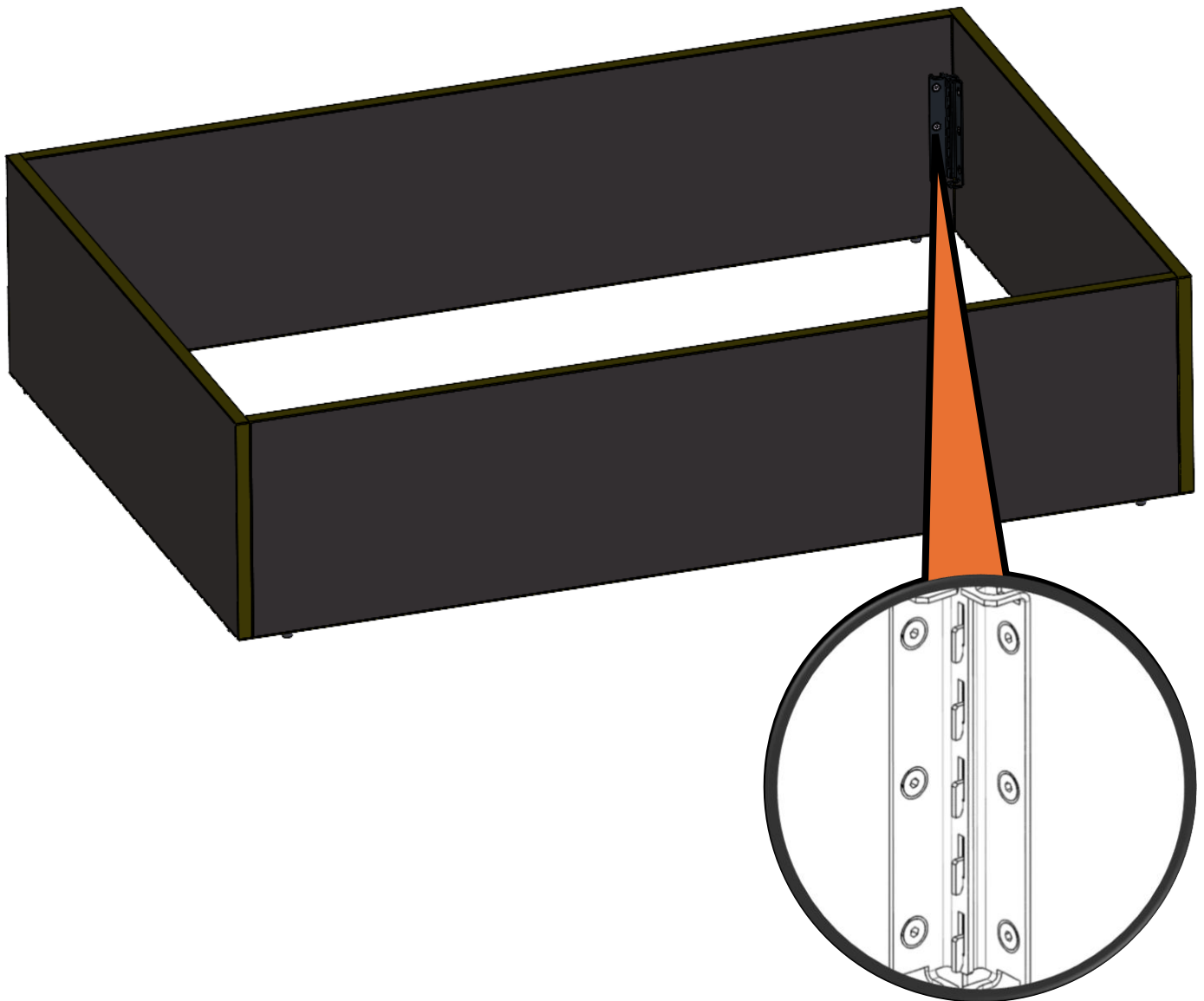
Countersunk head screw, inbus M5x12 DIN 7991, A2. 12 pcs

ASSEMBLY INSTRUCTIONS

0463-595-7047

STIHL

The connection between the short and long parts is made without additional fasteners; the parts are simply inserted into each other (the brackets with hooks are inserted into the brackets with slots).

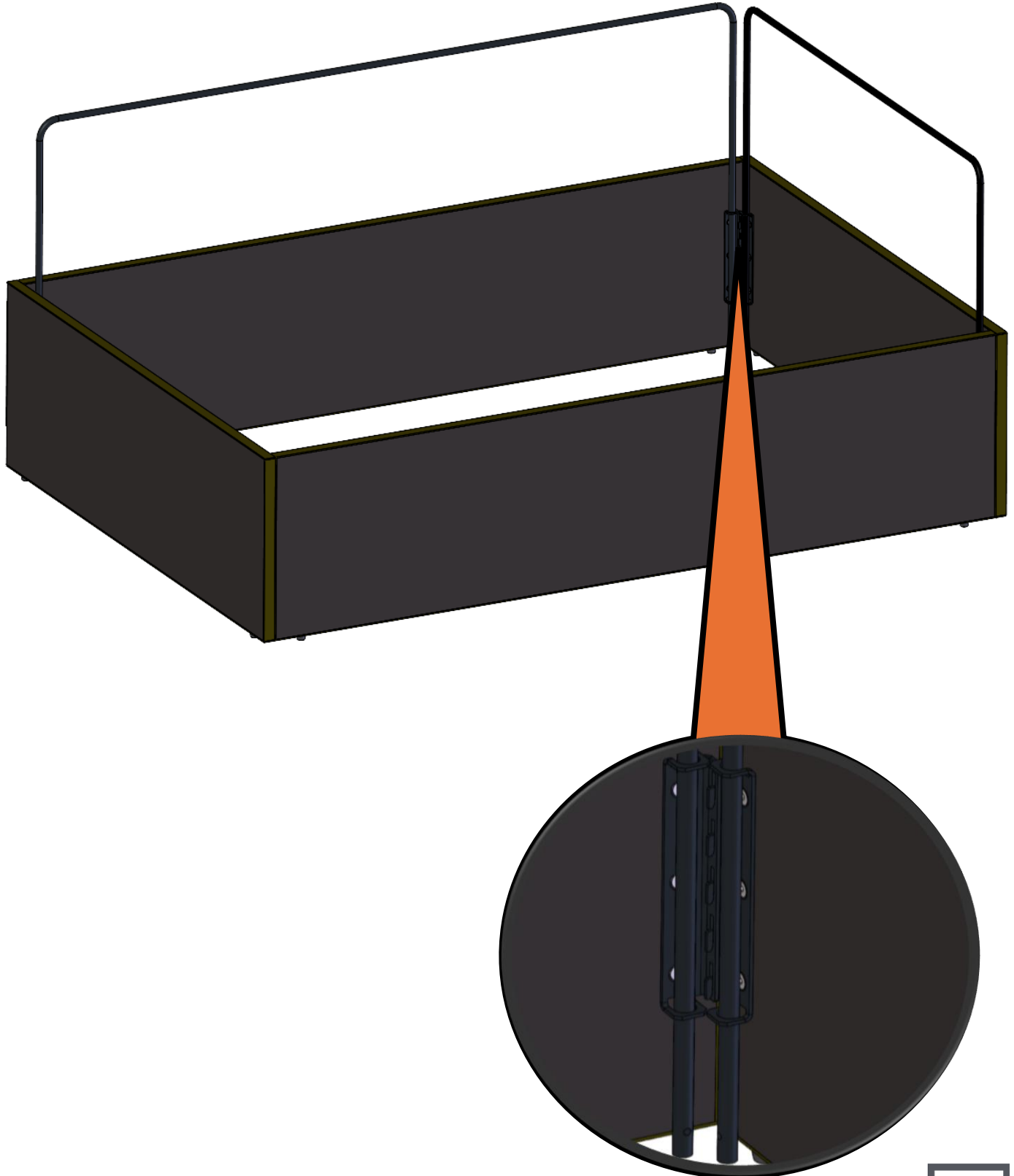


ASSEMBLY INSTRUCTIONS

0463-595-7047

STIHL

The installation of the railings (both short and long) is carried out simply by inserting the railings into the openings in the angle brackets. The position of the railing (short or long) can be selected as required (front, rear, left, or right side). Installation without railing is also possible.





We make successful stores.

umdasch Story Design s.r.o.,

umdasch Story Design a.s. Moravská 949, 57001 Litomyšl, Czechia

www.umdasch.com | [A company of Umdasch Group](#)

