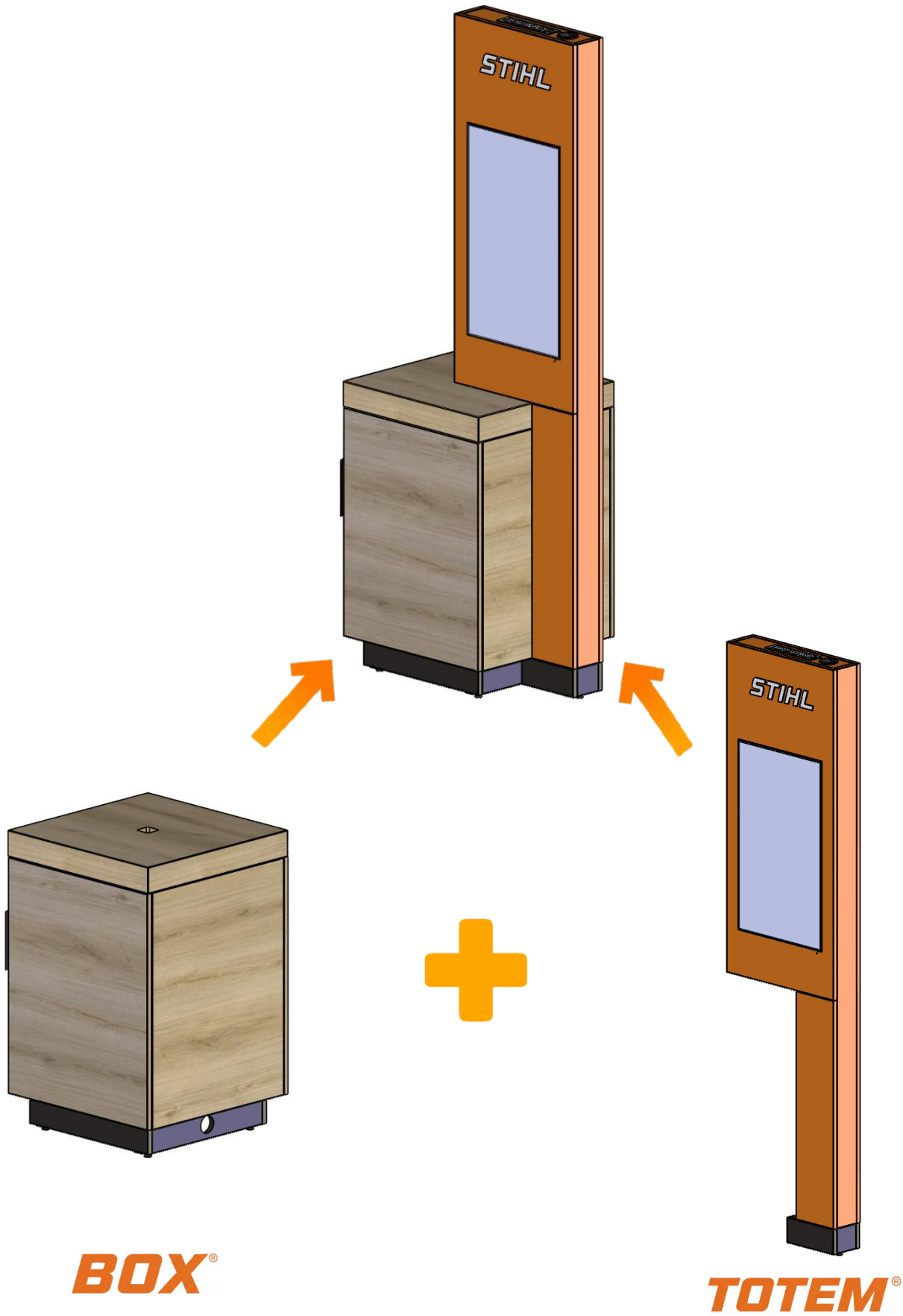


ASSEMBLY INSTRUCTIONS

0463-595-7010

STIHL



BOX[®]

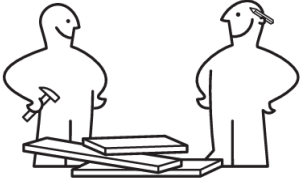


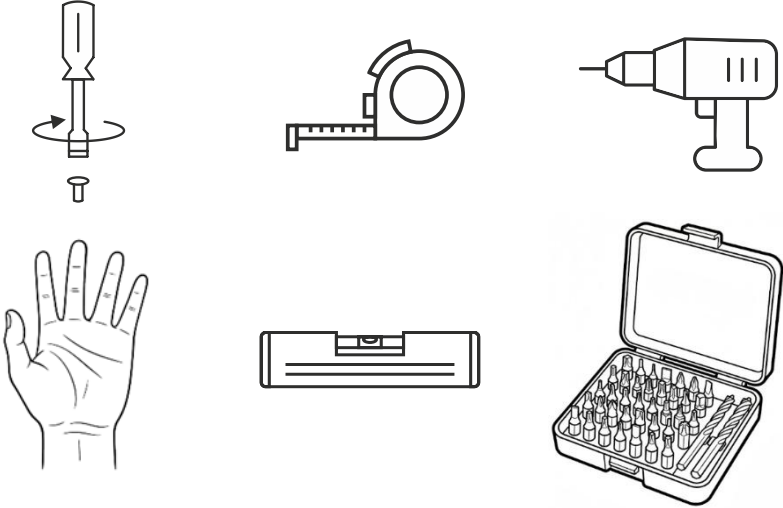
TOTEM[®]



ASSEMBLY INSTRUCTIONS

0463-595-7010



| | |
|---|--|
|  | <p>2 persons required for assembly 1 pallet, 56 kg.</p> |
|  | <p>Ivo Fryauf: ivo.fryauf@umdasch.com +420724303815</p> <p>Václav Dopita: vaclav.dopita@umdasch.com +420727861651</p> |
|  | <p>Recommended protective equipment</p> |
|  | <p>Tools required for assembly</p> |



VARIANTS[®]



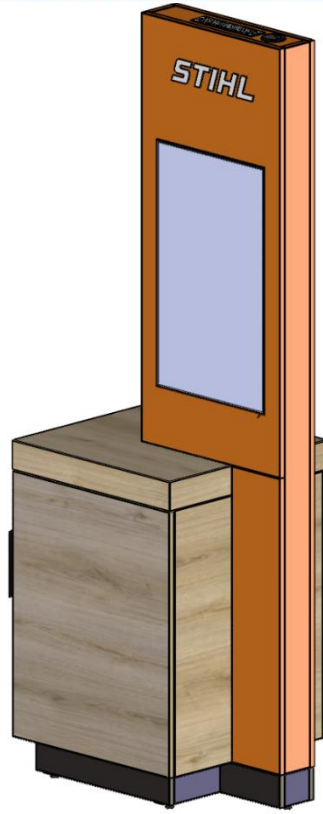
TOTEM RIGHT[®]
page 3[®]

TOTEM BACK[®]
page 9[®]

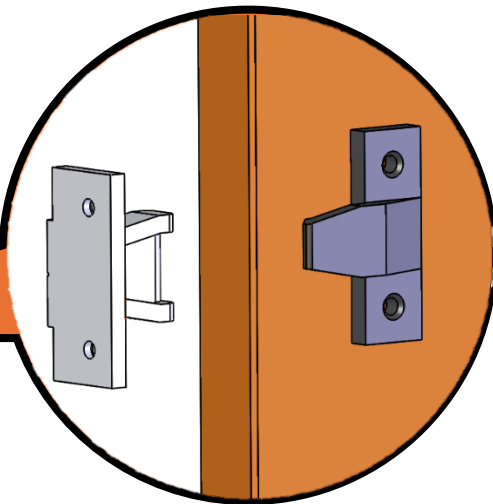
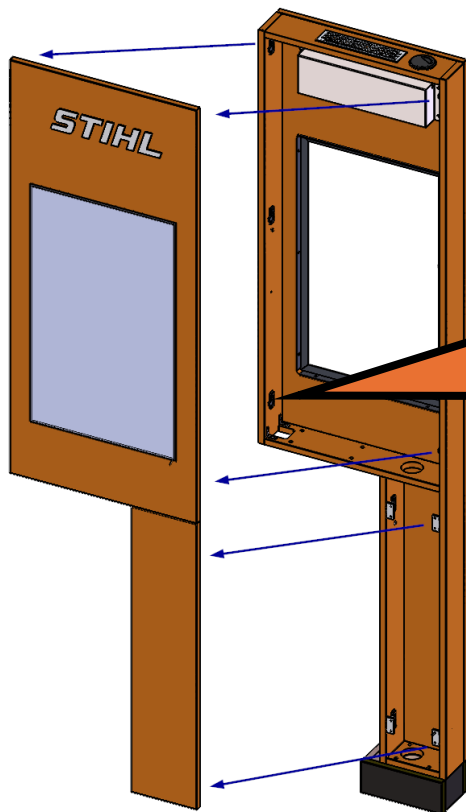
TOTEM LEFT[®]
page 15[®]

Positions 1, 2, and 3 can be set in three positions at 90° intervals.

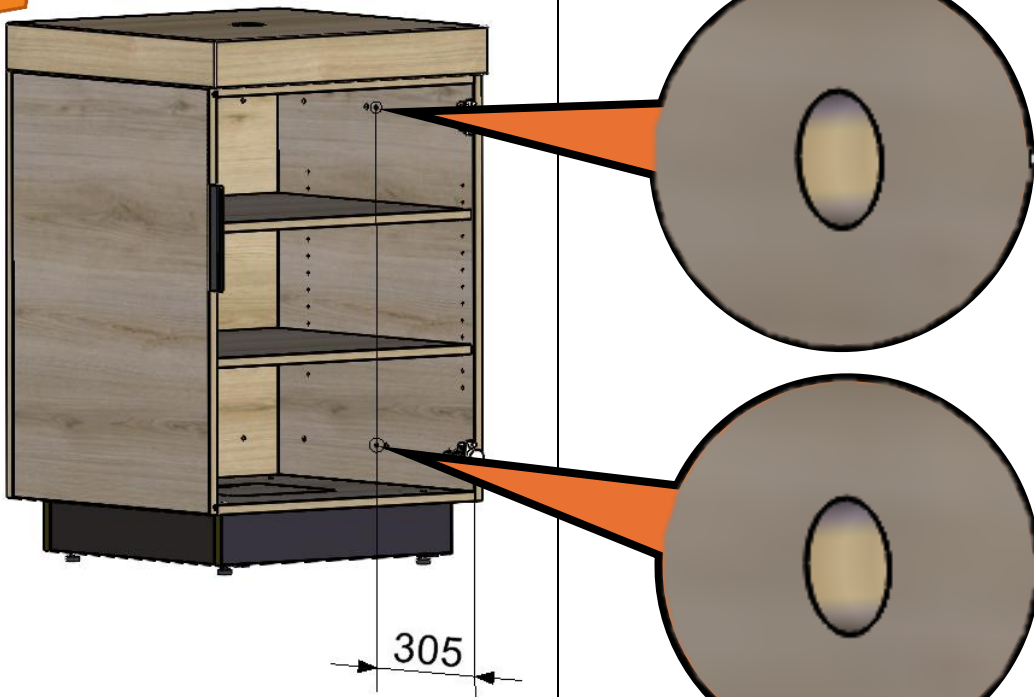
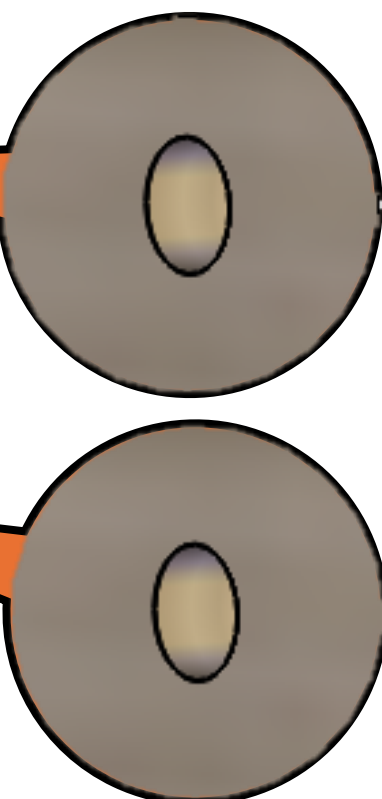
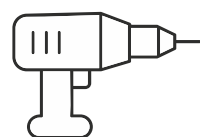
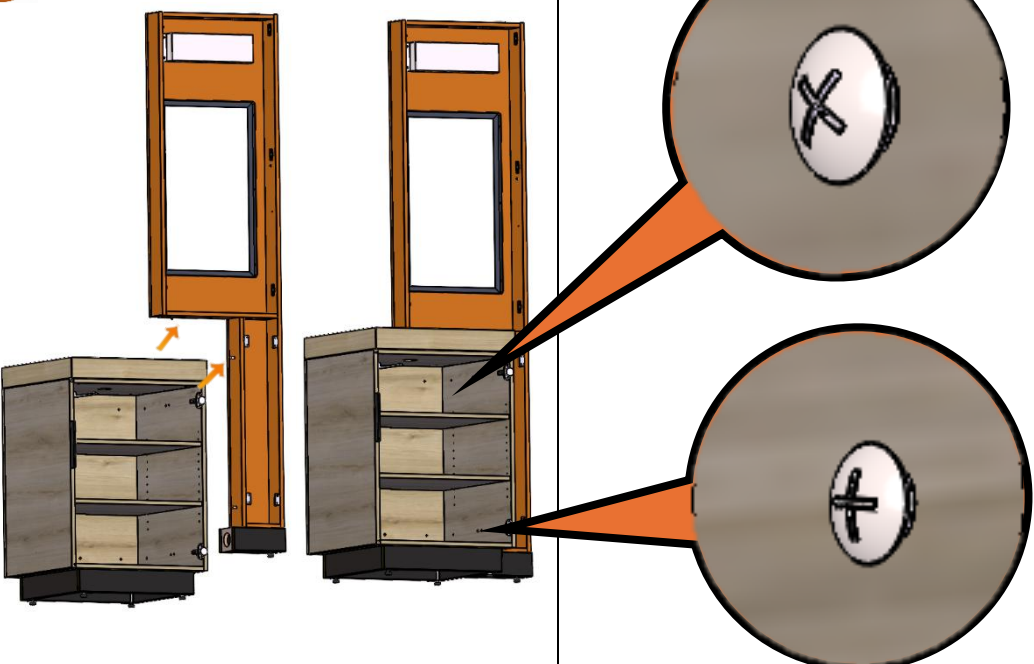
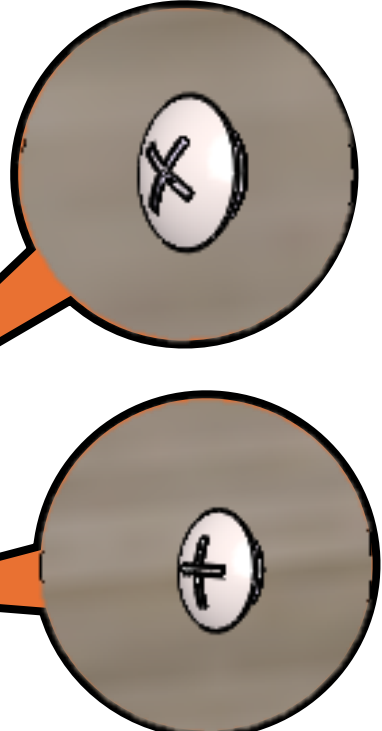
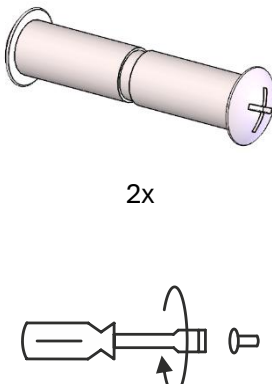
TOTEM RIGHT®

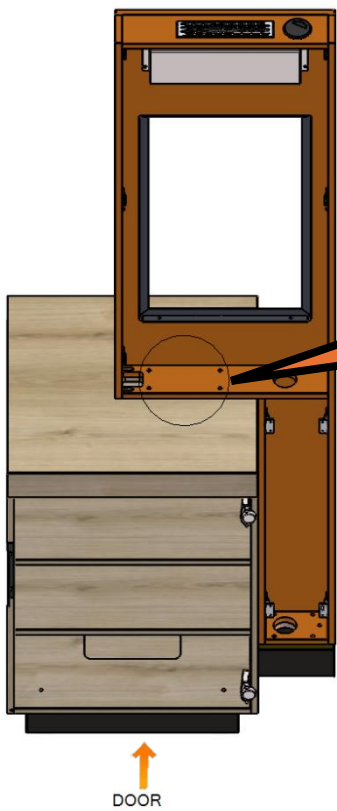
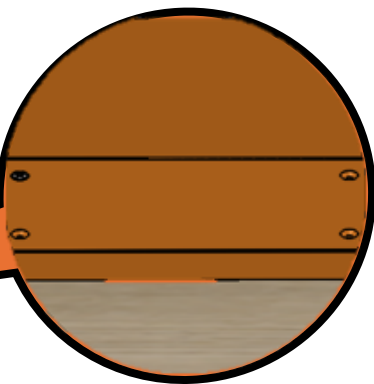
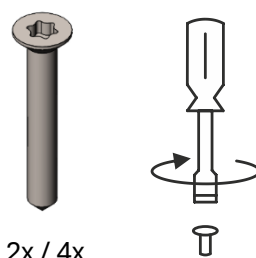
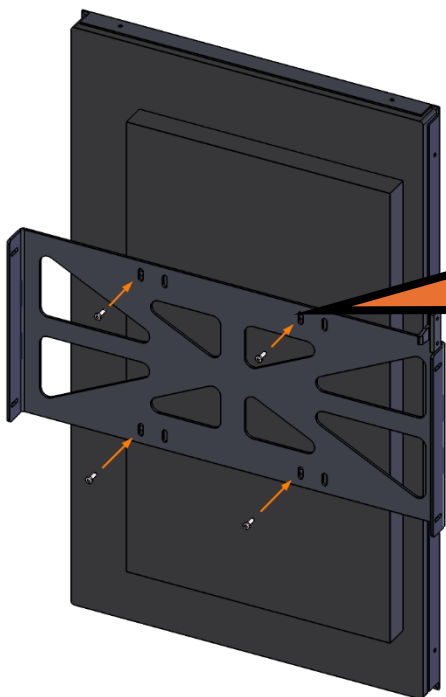




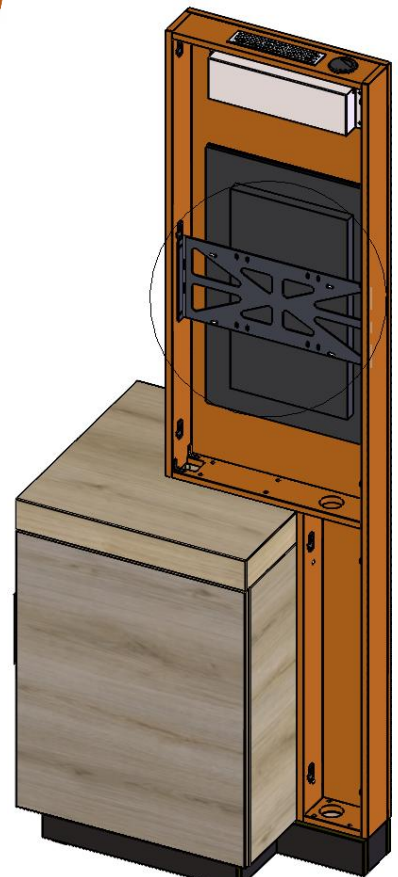
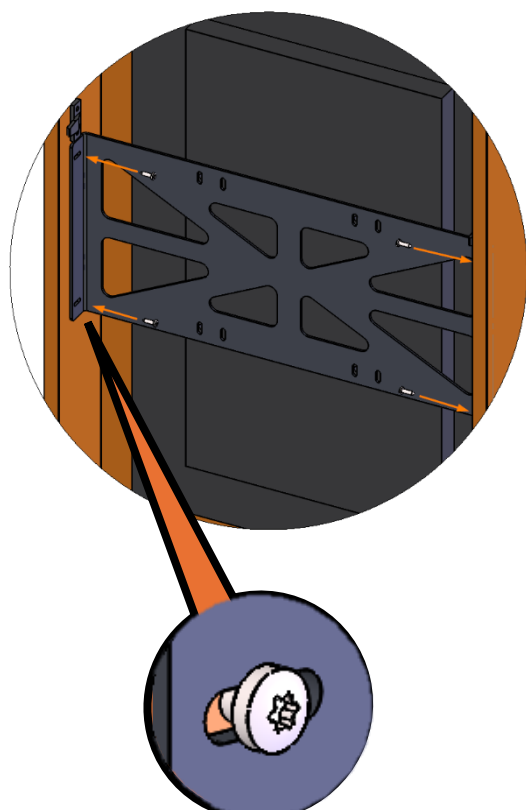
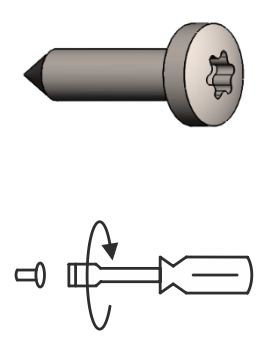
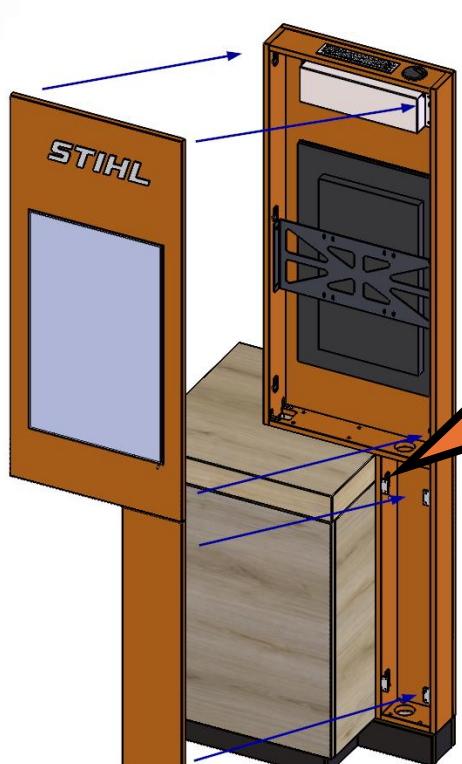
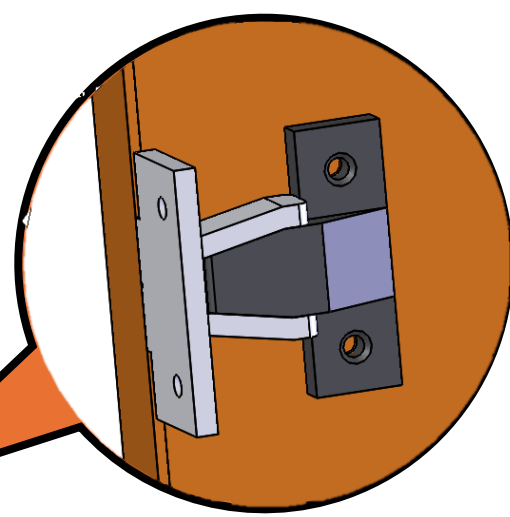

1



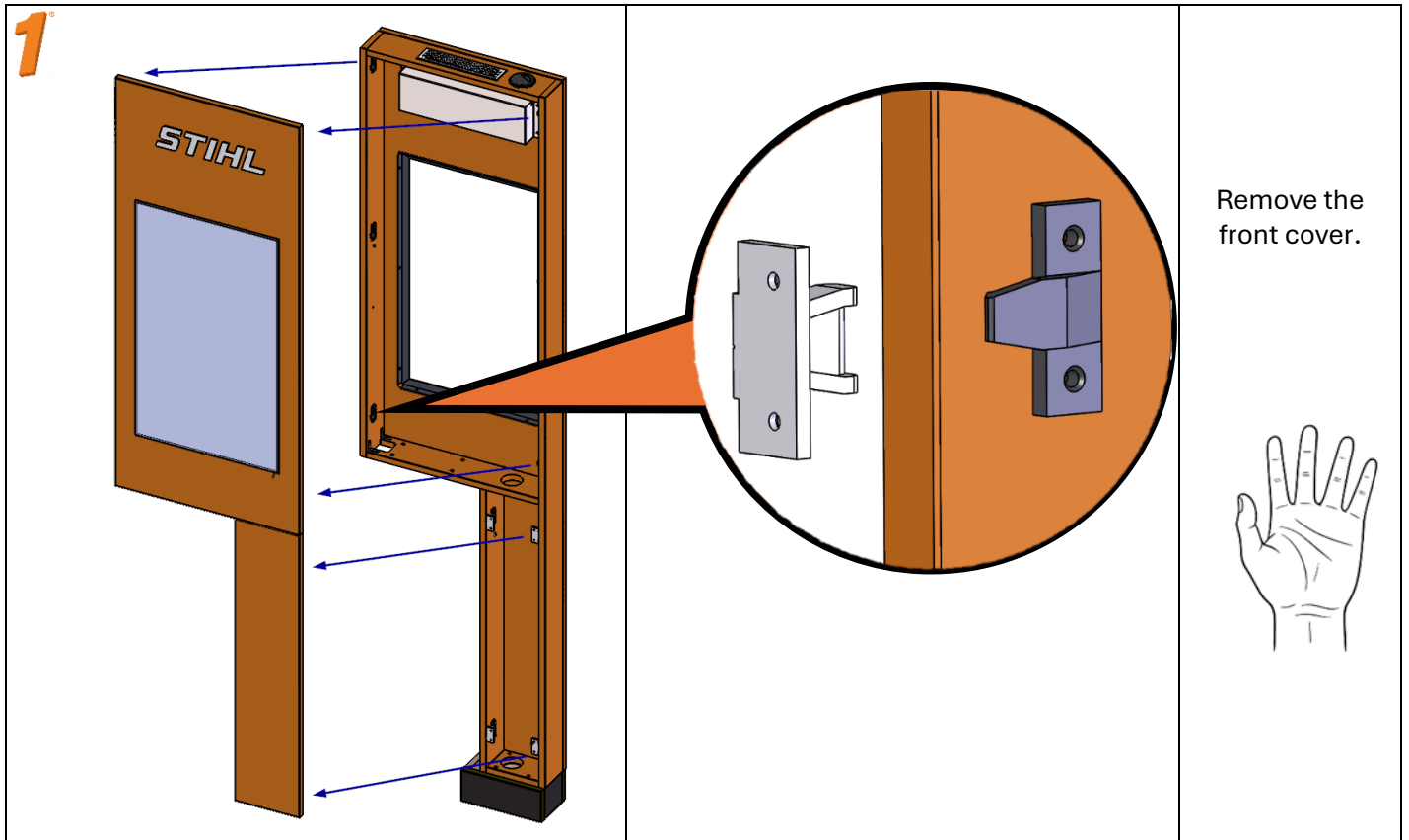
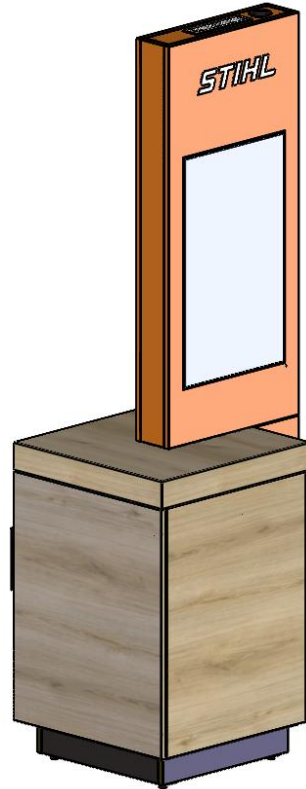
Remove the front cover.

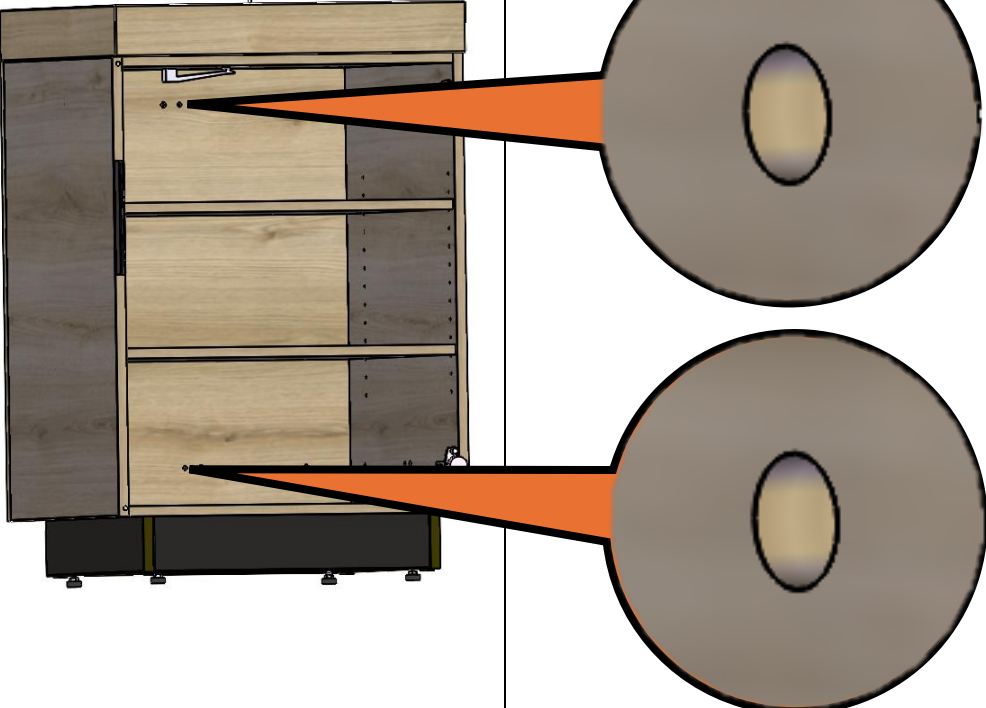
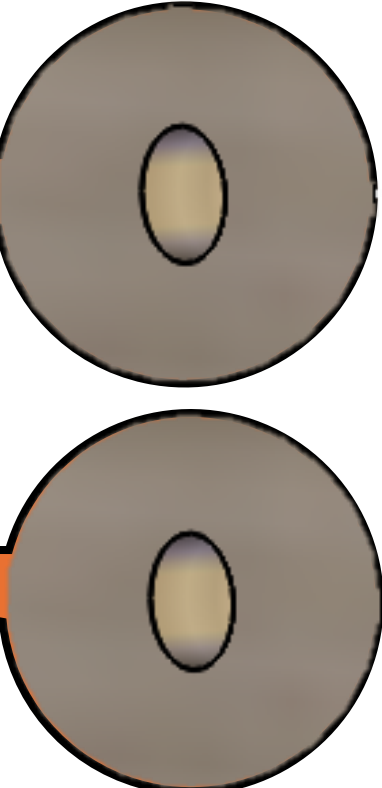
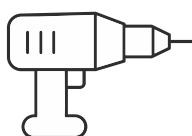

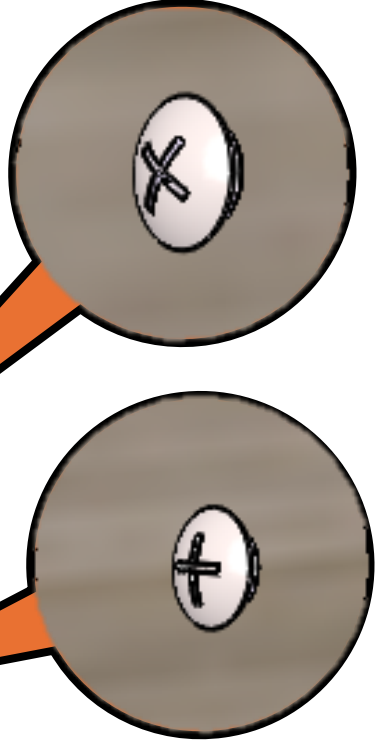
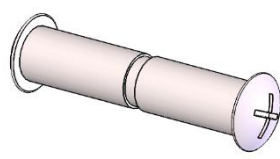
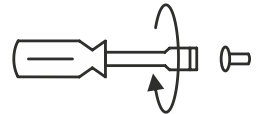
| | | |
|--|--|---|
| <p>2</p>  <p>305</p> |  | <p>The holes are pre-drilled (not countersunk) and need to be drilled through.</p> <p>To drill the holes through, you need to use an 8 mm drill bit.</p>  |
| <p>3</p>  |  | <p>Screw M6x30-40 (co. Démos)</p>  <p>2x</p> |

| | | |
|--|--|---|
| <p>4</p>  <p>↑ DOOR</p> |  | <p>Wood screw 4x30 DIN 7997</p>  <p>2x / 4x</p> <p>Remove the front cover of the totem and screw in the screws – it's not necessary to use all four.</p> |
| <p>5</p>  |  | <p>Screw M6x12 ISO 7141</p>  <p>4x</p> |

| | | |
|---|--|---|
| <p>6</p>  | <p>DETAIL A</p>  | <p>Wood screw 4x16 DIN 7997</p> <p>4x</p>  |
| <p>7</p>  |  | <p>Install the front cover only after connecting the wiring (see page 7/8).</p>  |

TOTEM BACK[®]



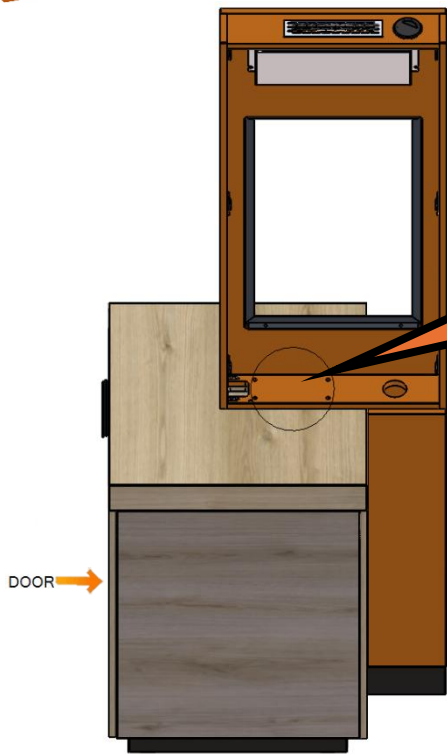
| | | |
|---|--|---|
| <p>2</p>  |  | <p>The holes are pre-drilled (not countersunk) and need to be drilled through.</p> <p>To drill the holes through, you need to use an 8 mm drill bit.</p>  |
| <p>3</p>  |  | <p>Screw M6x30-40 (co. Démos)</p>  <p>2x</p>  |

ASSEMBLY INSTRUCTIONS

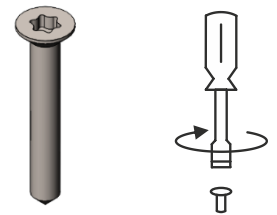
0463-595-7010

STIHL

4



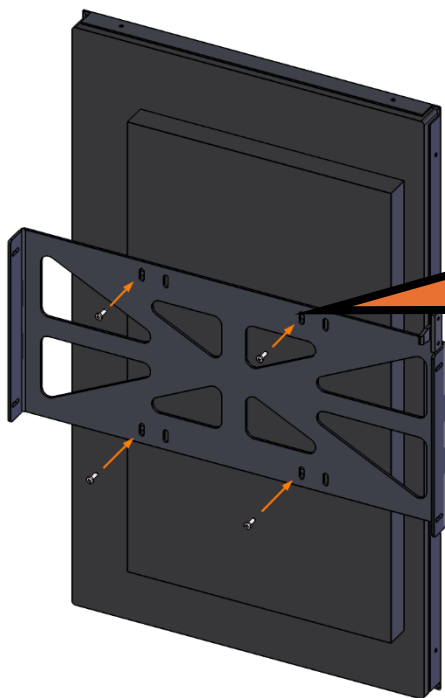
Wood screw
4x30 DIN 7997



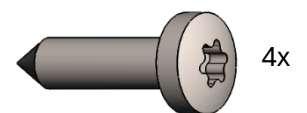
2x / 4x

Remove the front cover of the totem and screw in the screws – it's not necessary to use all four.

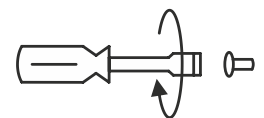
5

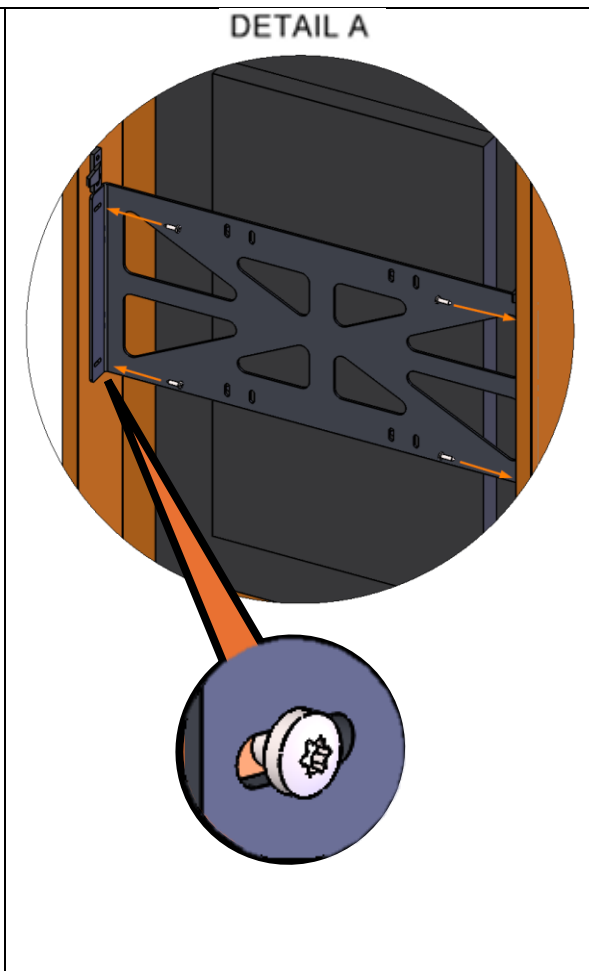
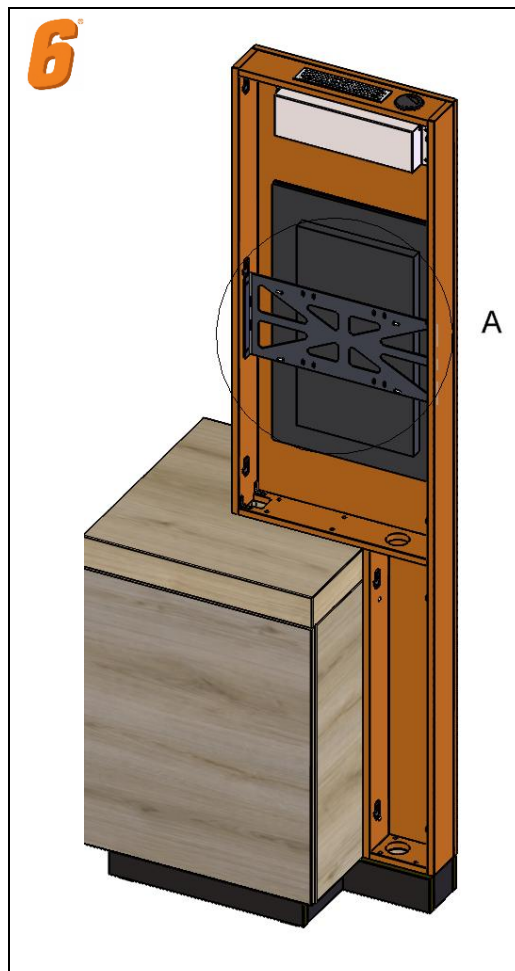


Screw M6x12
ISO 7141



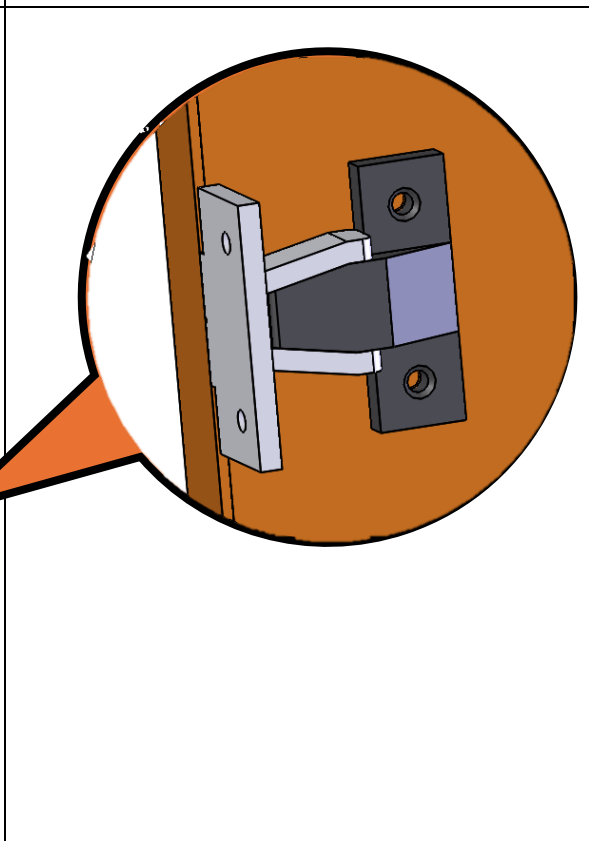
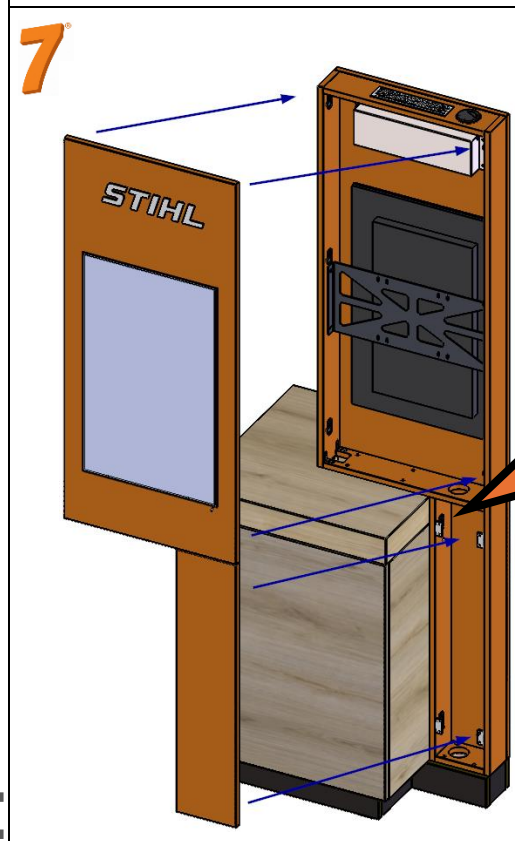
4x





Wood screw
4x16 DIN 7997

4x



Install the front cover only
after connecting the wiring
(see page 13/14).



TOTEM LEFT®

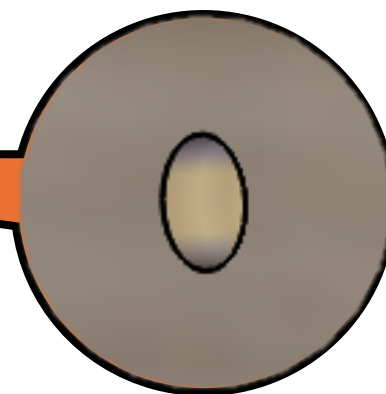
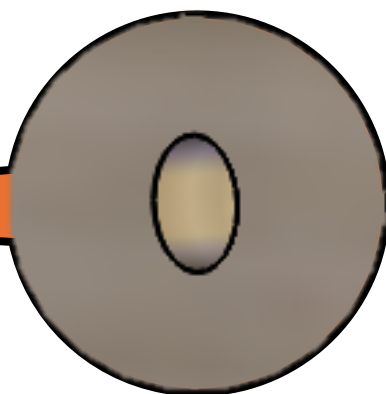
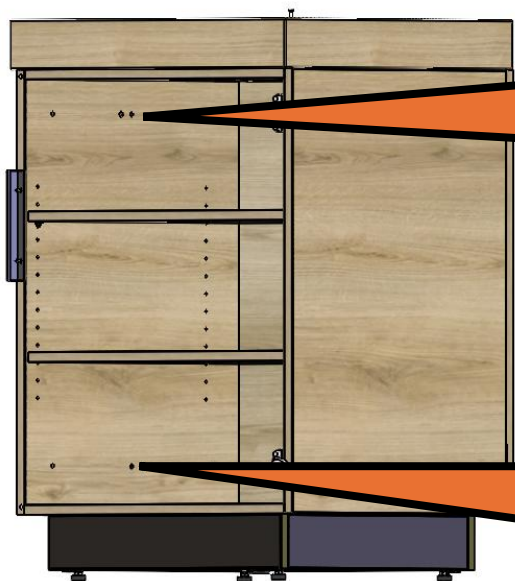


1

Remove the front cover.

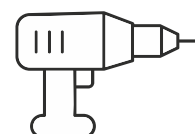


2

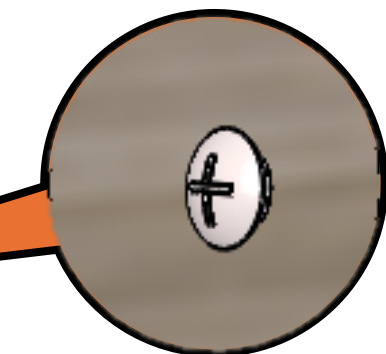
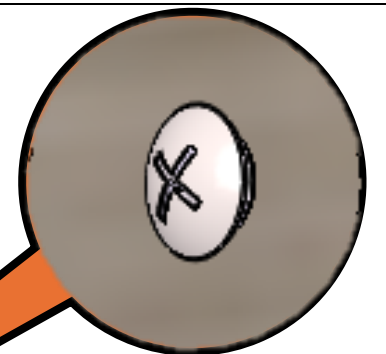
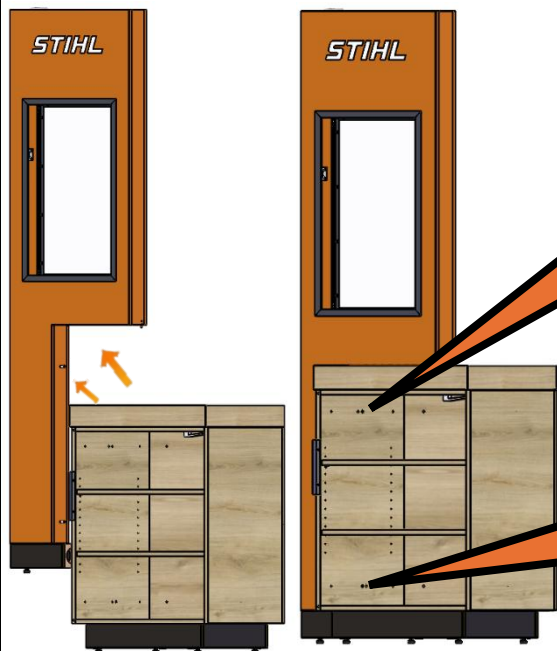


The holes are pre-drilled (not countersunk) and need to be drilled through.

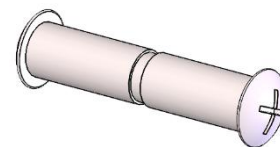
To drill the holes through, you need to use an 8 mm drill bit.



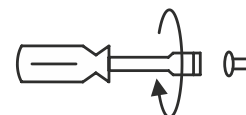
3



Screw M6x30-40
(co. Démos)



2x

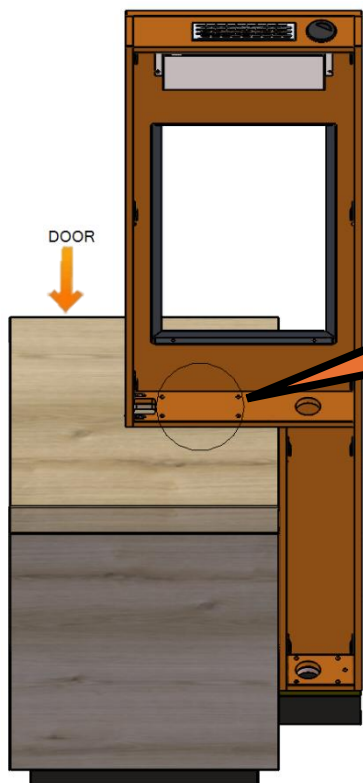


ASSEMBLY INSTRUCTIONS

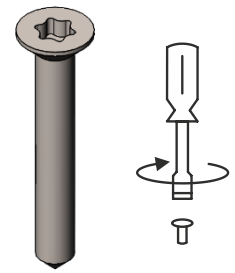
0463-595-7010

STIHL

4



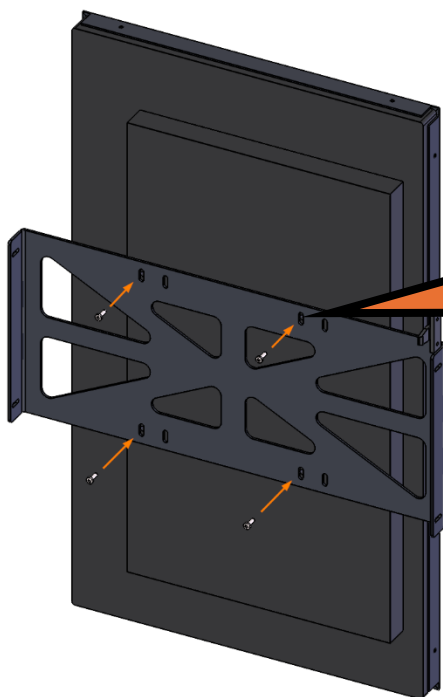
Wood screw
4x30 DIN 7997



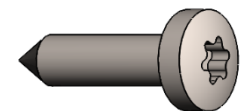
2x / 4x

Remove the front cover of the totem and screw in the screws – it's not necessary to use all four.

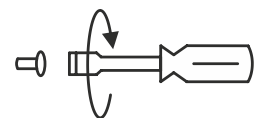
5



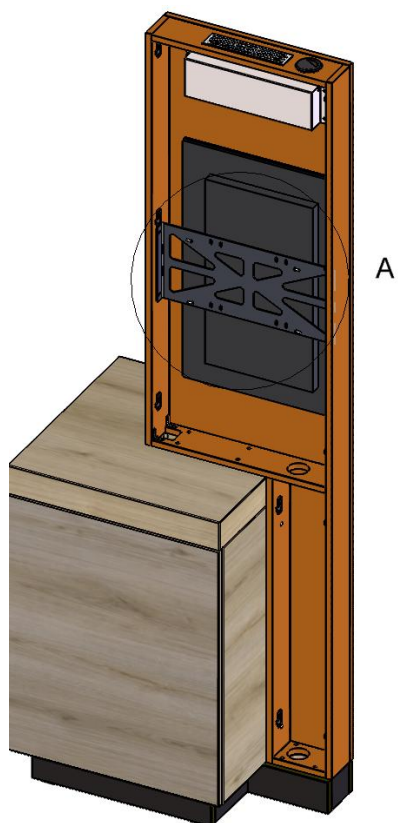
Screw M6x12
ISO 7141



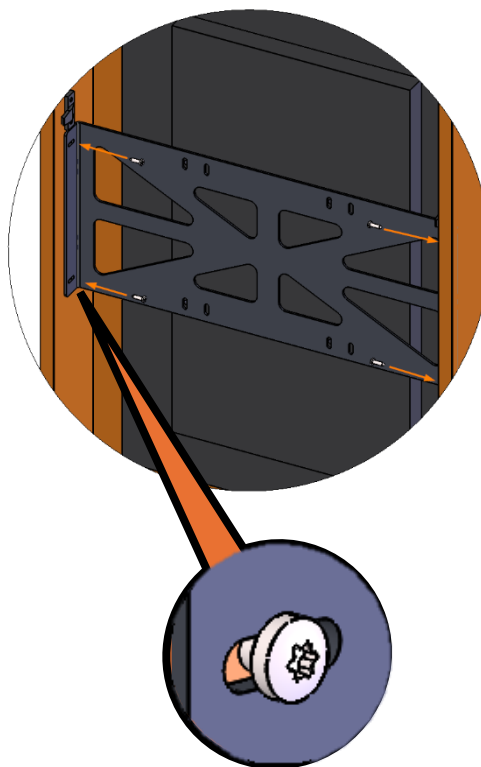
4x



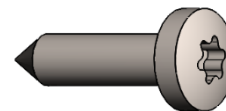
6



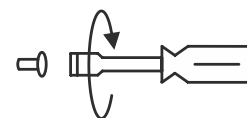
DETAIL A



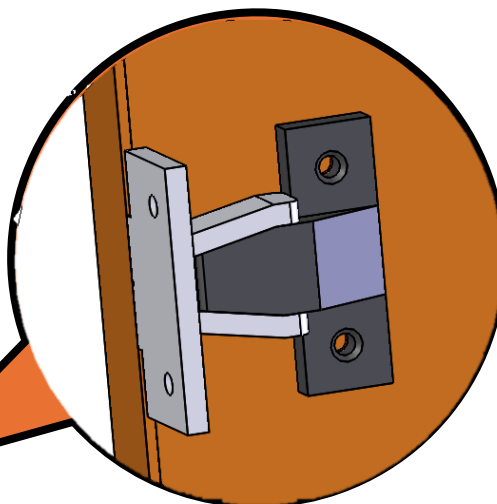
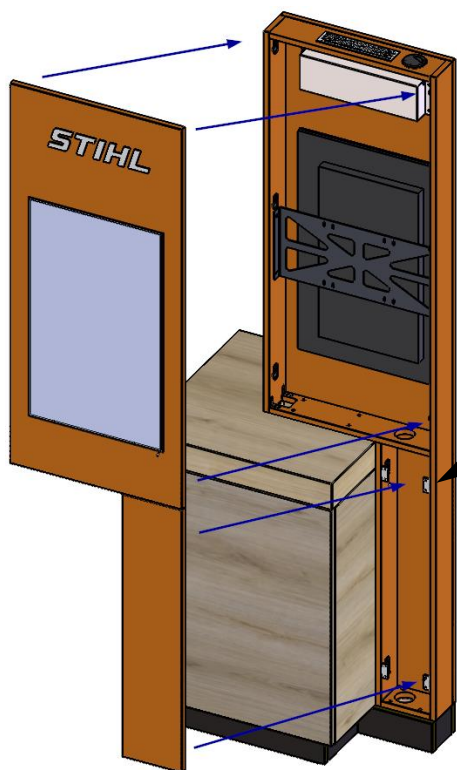
Wood screw
4x16 DIN 7997



4x



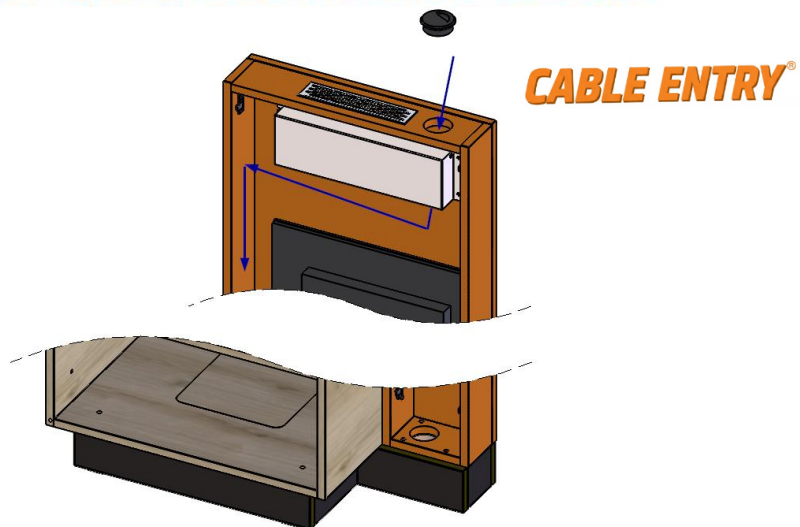
7



Install the front cover
only after connecting
the wiring (see page
19/20).



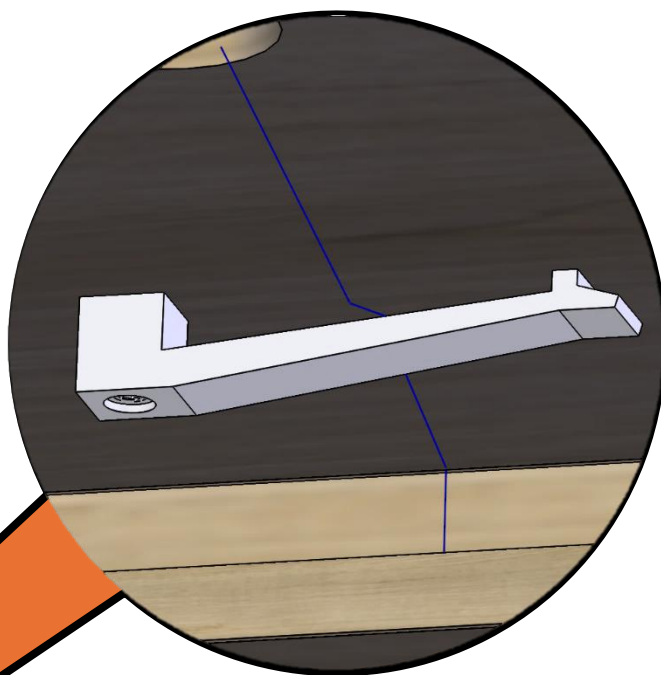
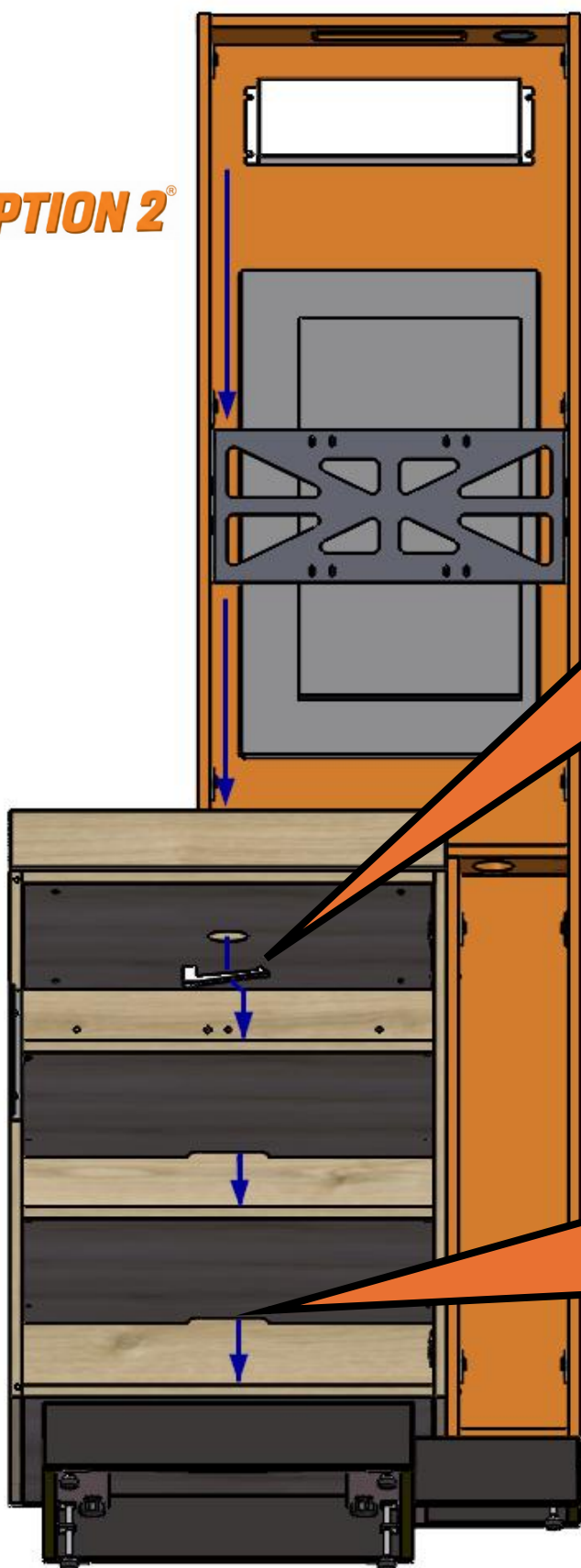
CABLE CONNECTION OPTIONS[®]



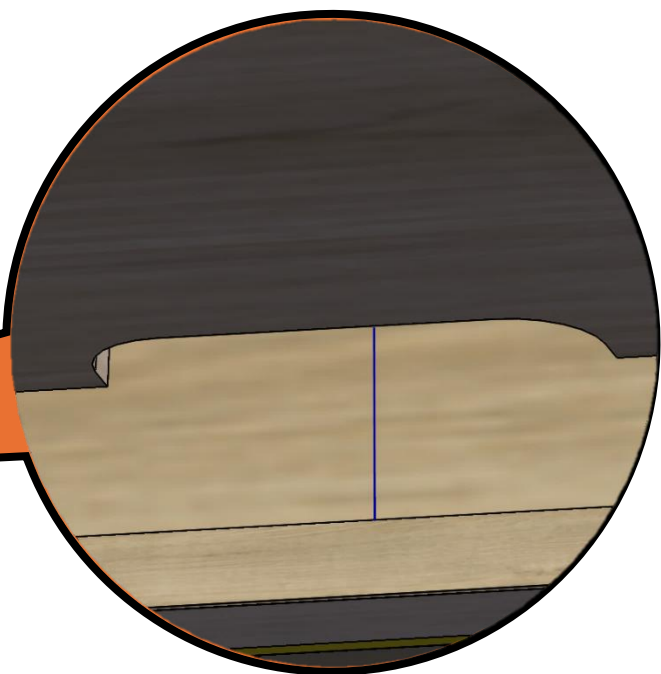
OPTION 1[®]



OPTION 2[®]



Route the cable under the cable holder.



Pass the cables through the cut-outs in the shelf.





We make successful stores.

umdasch Story Design s.r.o.,

umdasch Story Design a.s. Moravská 949, 57001 Litomyšl, Czechia

www.umdasch.com | [A company of Umdasch Group](#)

