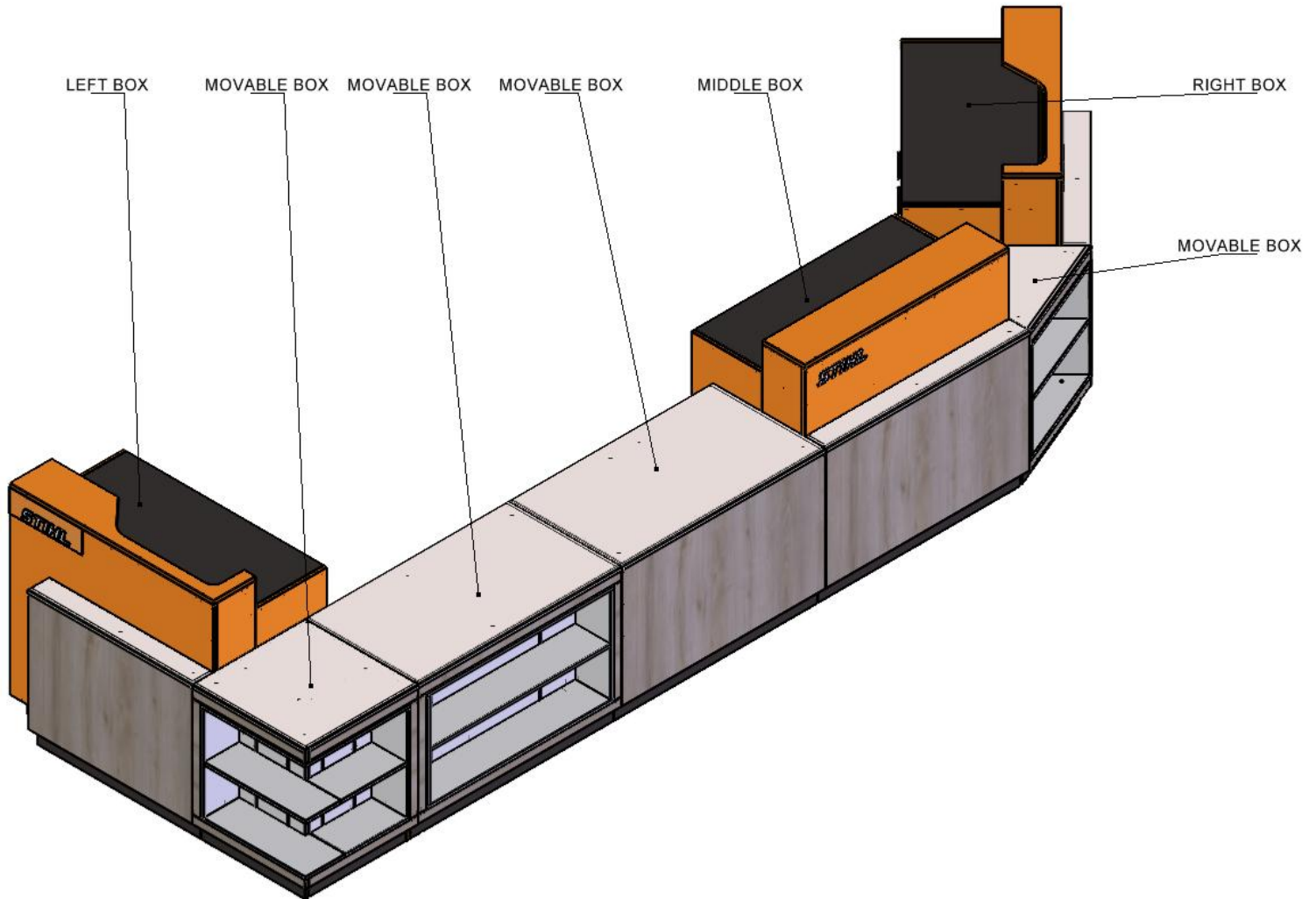


ASSEMBLY INSTRUCTIONS

0463-595-7020; 0463-595-7021; 0463-595-7022; 0463-595-7023; 0463-595-7024; 0463-595-7025;
0463-595-7026; 0463-595-7027; 0463-595-7028; 0463-595-7029; 0463-595-7015

STIHL

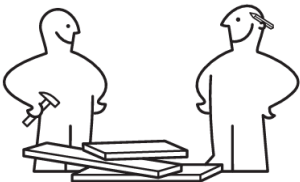


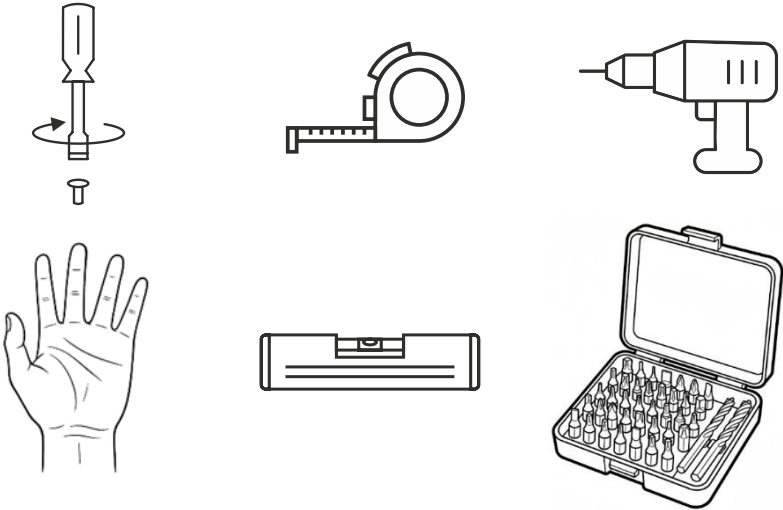


The LEFT BOX and RIGHT BOX always remain at the edges and never change their positions. The MOVABLE and MIDDLE BOXES can be arranged in various combinations.

ASSEMBLY INSTRUCTIONS

0463-595-7020; 0463-595-7021; 0463-595-7022; 0463-595-7023; 0463-595-7024; 0463-595-7025;
0463-595-7026; 0463-595-7027; 0463-595-7028; 0463-595-7029; 0463-595-7015

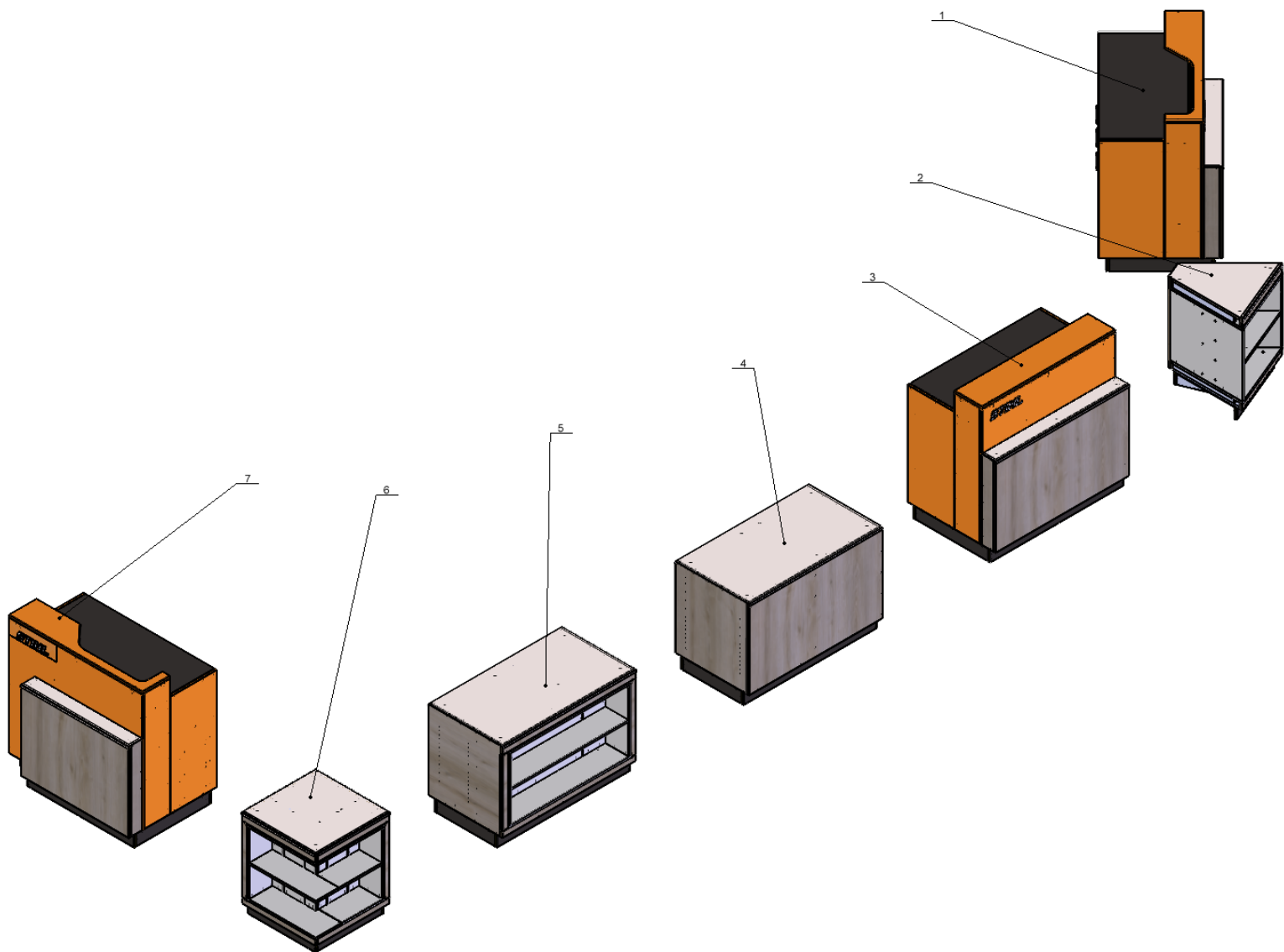


	<p>2 persons required for assembly 7 pallets, total weight 770 kg</p>
	<p>Ivo Fryauf: ivo.fryauf@umdasch.com +420724303815</p> <p>Václav Dopita: vaclav.dopita@umdasch.com +420727861651</p>
	<p>Recommended protective equipment</p>
	<p>Tools required for assembly</p>



ASSEMBLY INSTRUCTIONS

0463-595-7020; 0463-595-7021; 0463-595-7022; 0463-595-7023; 0463-595-7024; 0463-595-7025;
0463-595-7026; 0463-595-7027; 0463-595-7028; 0463-595-7029; 0463-595-7015

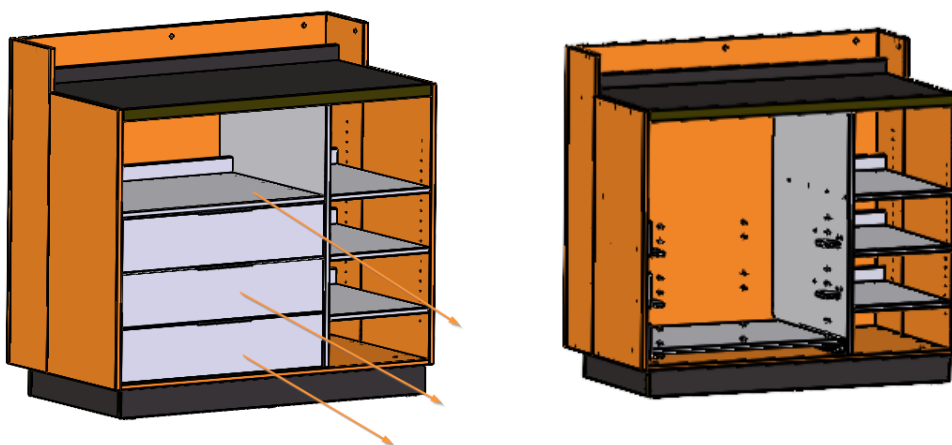


ASSEMBLY INSTRUCTIONS

0463-595-7020; 0463-595-7021; 0463-595-7022; 0463-595-7023; 0463-595-7024; 0463-595-7025;
0463-595-7026; 0463-595-7027; 0463-595-7028; 0463-595-7029; 0463-595-7015



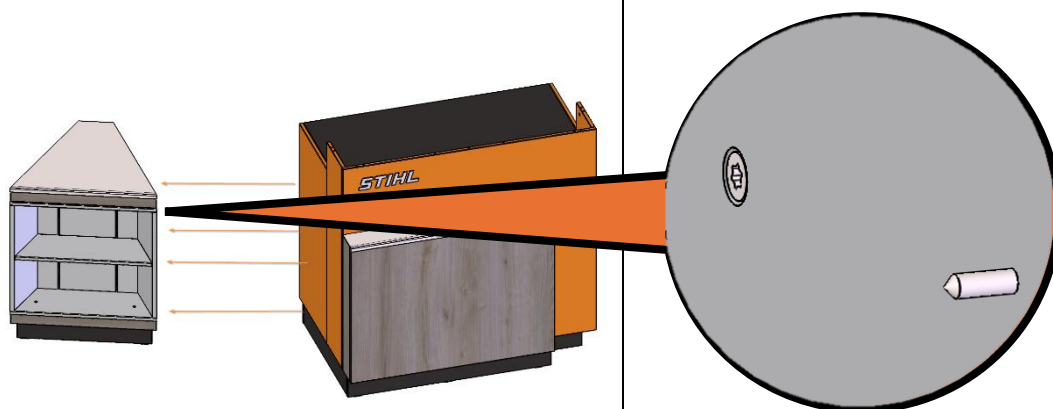
POSITION 1



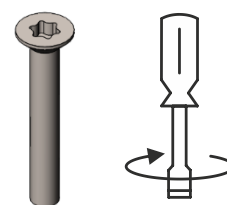
Remove the rear drawers.



POSITION 1 + 2



Wood screw
4x30
DIN 7997 - 4 pcs



Fasten the component from the inside (position 2) to the component marked as position 1.

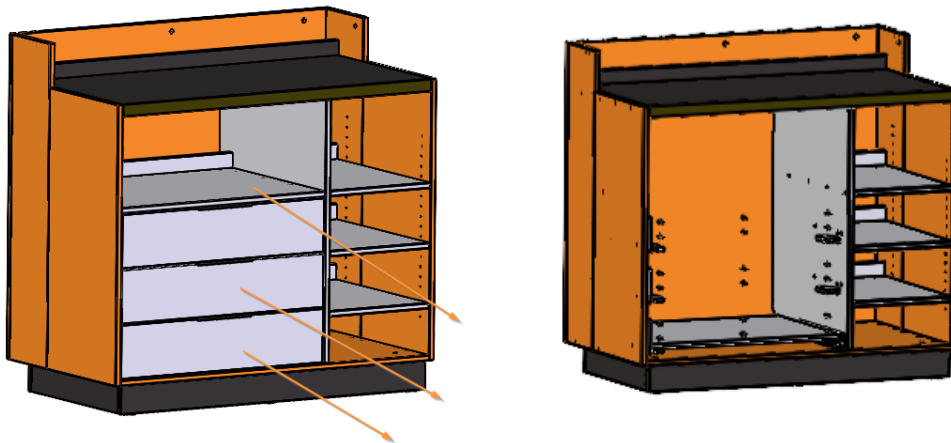


ASSEMBLY INSTRUCTIONS

0463-595-7020; 0463-595-7021; 0463-595-7022; 0463-595-7023; 0463-595-7024; 0463-595-7025;
0463-595-7026; 0463-595-7027; 0463-595-7028; 0463-595-7029; 0463-595-7015

STIHL

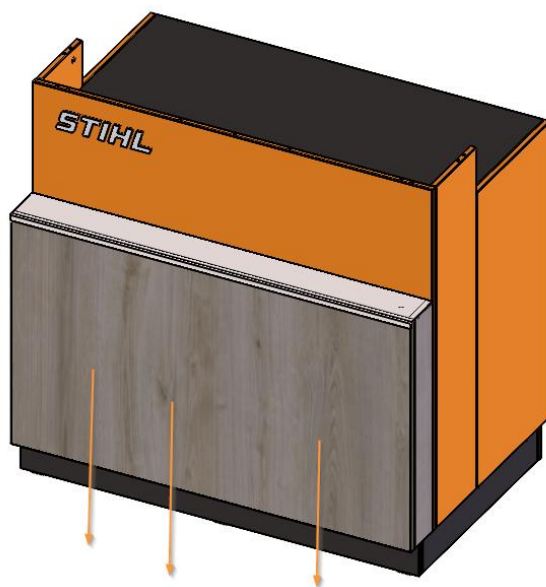
POSITION 3



Remove the rear drawers.



POSITION 3



The front surface is separated downwards due to the rectification legs.

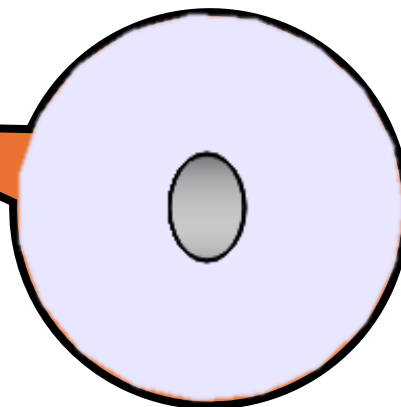
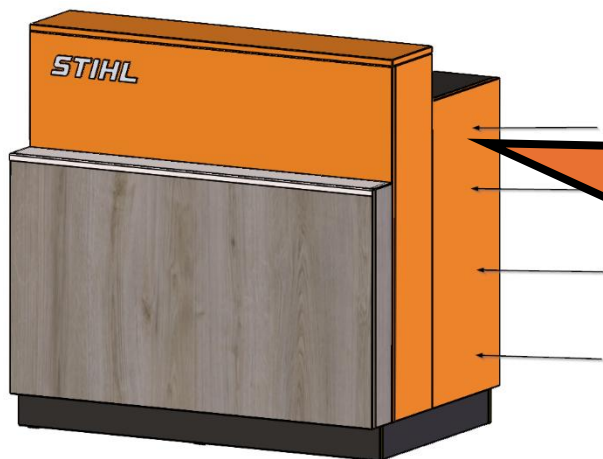


ASSEMBLY INSTRUCTIONS

0463-595-7020; 0463-595-7021; 0463-595-7022; 0463-595-7023; 0463-595-7024; 0463-595-7025;
0463-595-7026; 0463-595-7027; 0463-595-7028; 0463-595-7029; 0463-595-7015

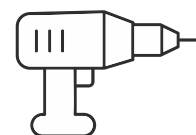
STIHL

POSITION 3



Drill 4 holes through.

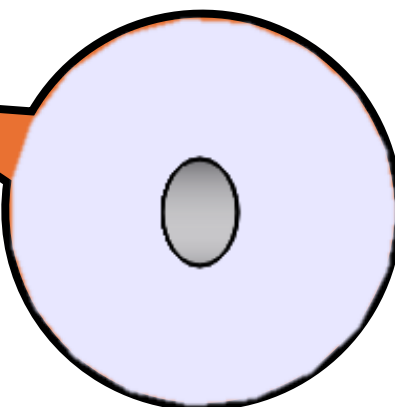
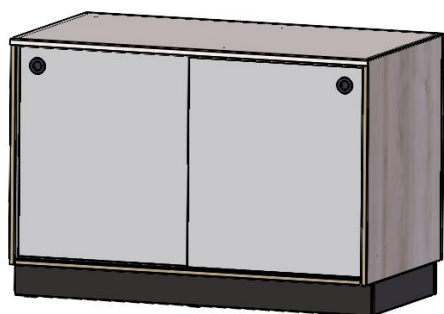
To drill the holes through, you need to use a 5 mm drill bit.



POSITION 4

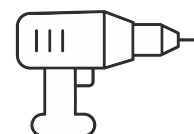


The back view:



Drill 8 holes (4 from each side).

To drill the holes through, you need to use a 5 mm drill bit.

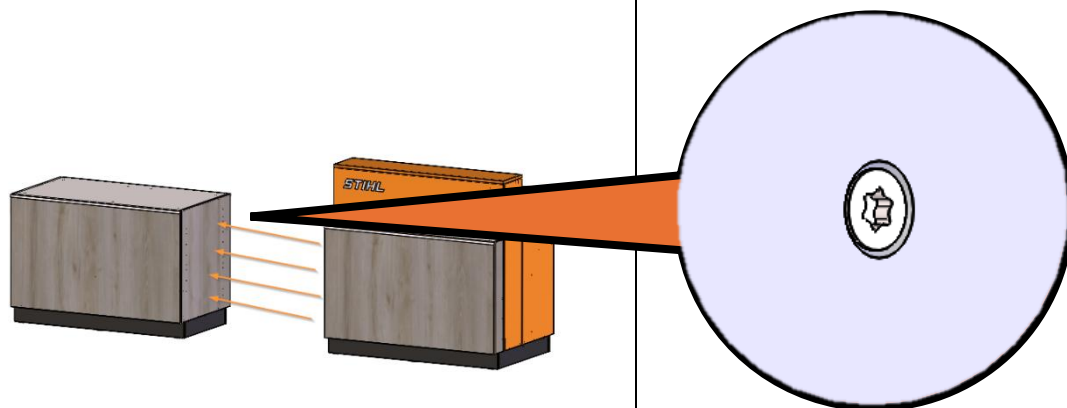


ASSEMBLY INSTRUCTIONS

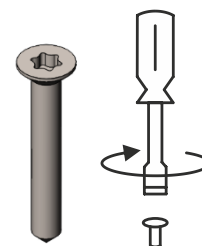
0463-595-7020; 0463-595-7021; 0463-595-7022; 0463-595-7023; 0463-595-7024; 0463-595-7025;
0463-595-7026; 0463-595-7027; 0463-595-7028; 0463-595-7029; 0463-595-7015

STIHL

POSITION 4 + 3



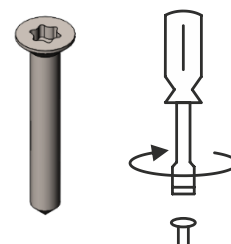
Screw together position 3 and position 4 from inside of position 3.
Wood screw
4x30
DIN 7997 - 4 pcs



POSITION 5



Unscrew the rear panel - remove the door. Then perform the step described below. (After removing the holes, replace the door in the same style) - after that, place it back.

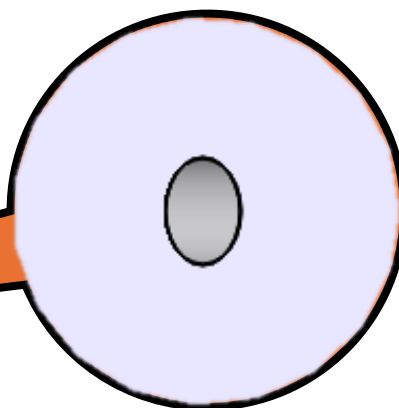
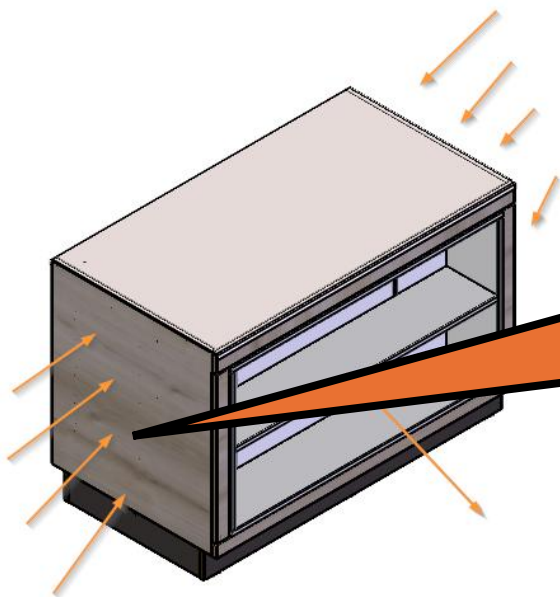


ASSEMBLY INSTRUCTIONS

0463-595-7020; 0463-595-7021; 0463-595-7022; 0463-595-7023; 0463-595-7024; 0463-595-7025;
0463-595-7026; 0463-595-7027; 0463-595-7028; 0463-595-7029; 0463-595-7015

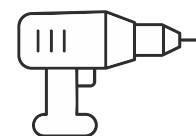
STIHL

POSITION 5

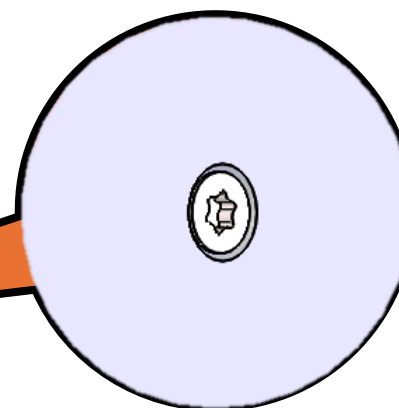
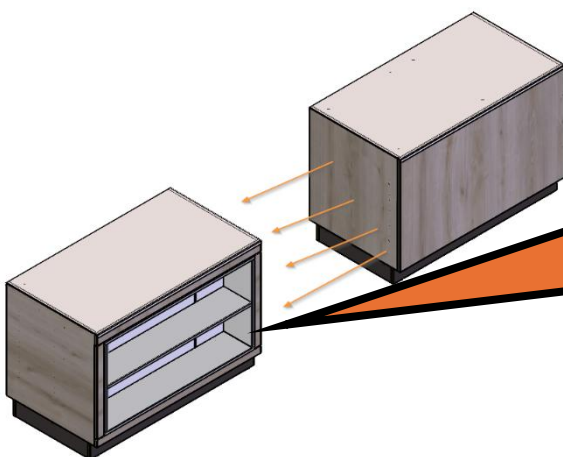


Drill 8 holes (4 on each side from inside).

To drill the holes through, you need to use a 5 mm drill bit.



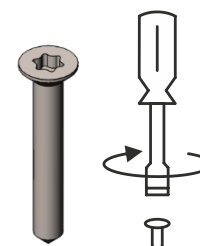
POSITION 4 + 5



Fasten with four screws.

Wood screw
4x30

DIN 7997 - 4 pcs

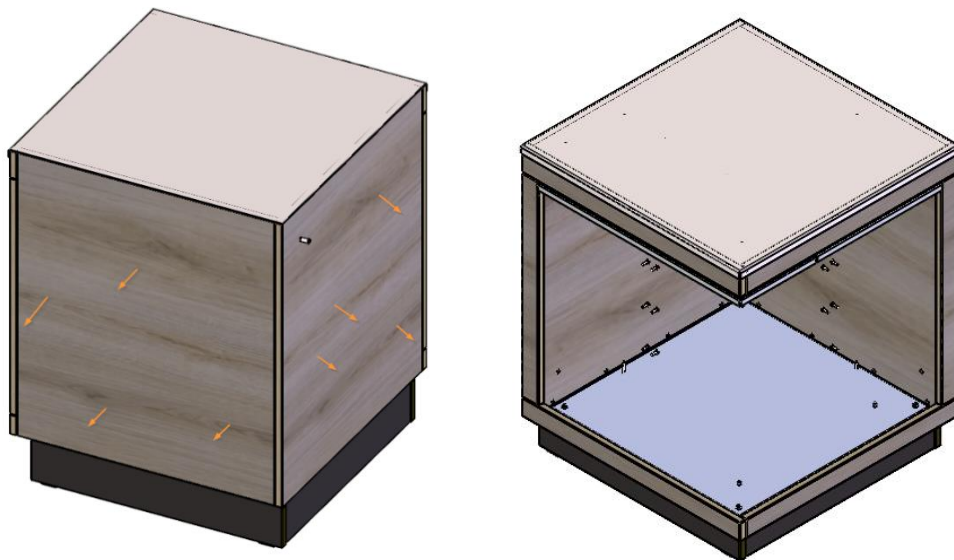


ASSEMBLY INSTRUCTIONS

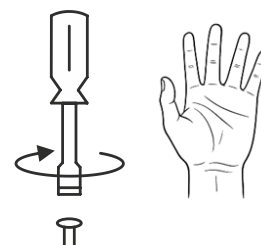
0463-595-7020; 0463-595-7021; 0463-595-7022; 0463-595-7023; 0463-595-7024; 0463-595-7025;
0463-595-7026; 0463-595-7027; 0463-595-7028; 0463-595-7029; 0463-595-7015

STIHL

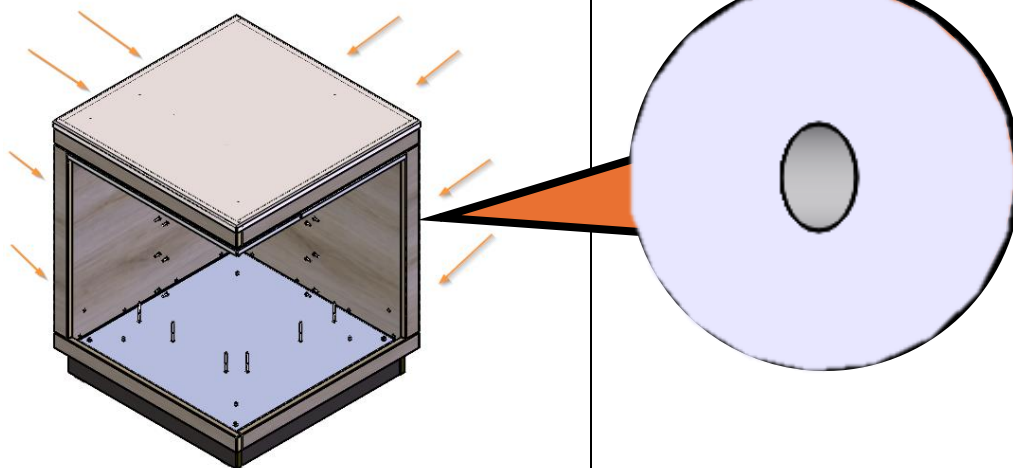
POSITION 6



Unscrew the screws from the rear and remove the cabinet from the front so that another position can be screwed in from the inside. After completing the installation, return the cabinet back to its original position.

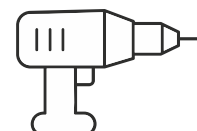


POSITION 6



Drill 8 holes (4 holes from each side) into the solid backs.

To drill the holes through, you need to use a 5 mm drill bit.

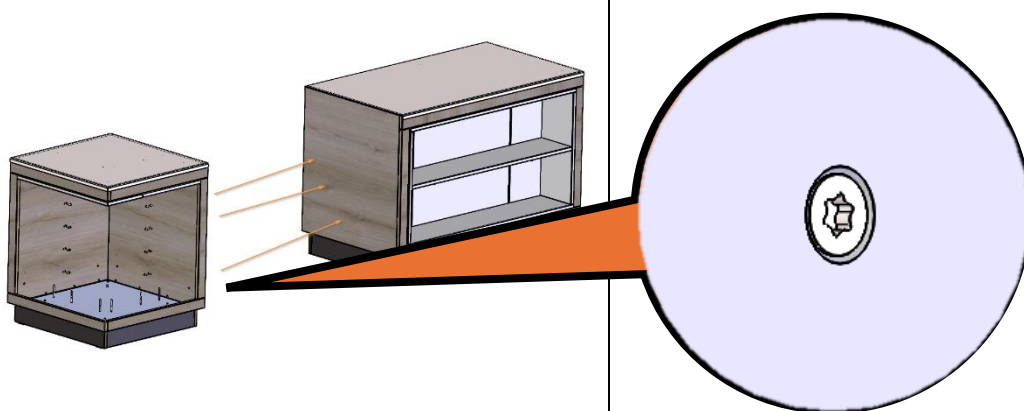


ASSEMBLY INSTRUCTIONS

0463-595-7020; 0463-595-7021; 0463-595-7022; 0463-595-7023; 0463-595-7024; 0463-595-7025;
0463-595-7026; 0463-595-7027; 0463-595-7028; 0463-595-7029; 0463-595-7015

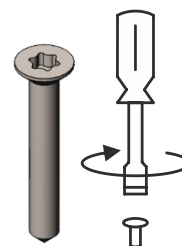
STIHL

POSITION 5 + 6

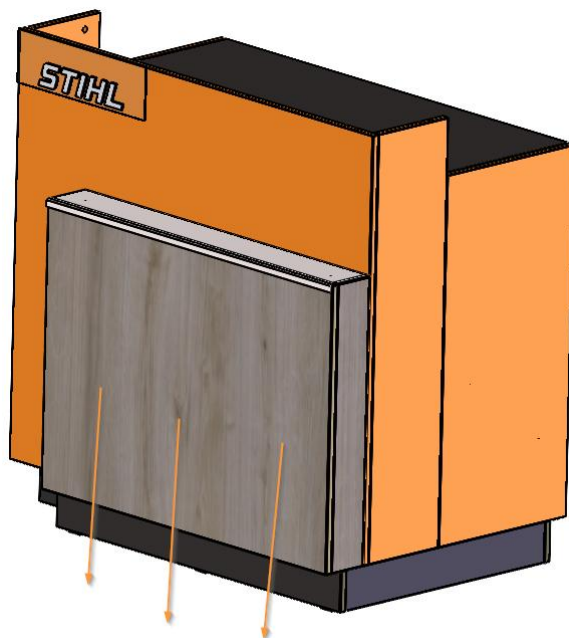


Fasten together with four screws.

Wood screw
4x30
DIN 7997 - 4 pcs



POSITION 7



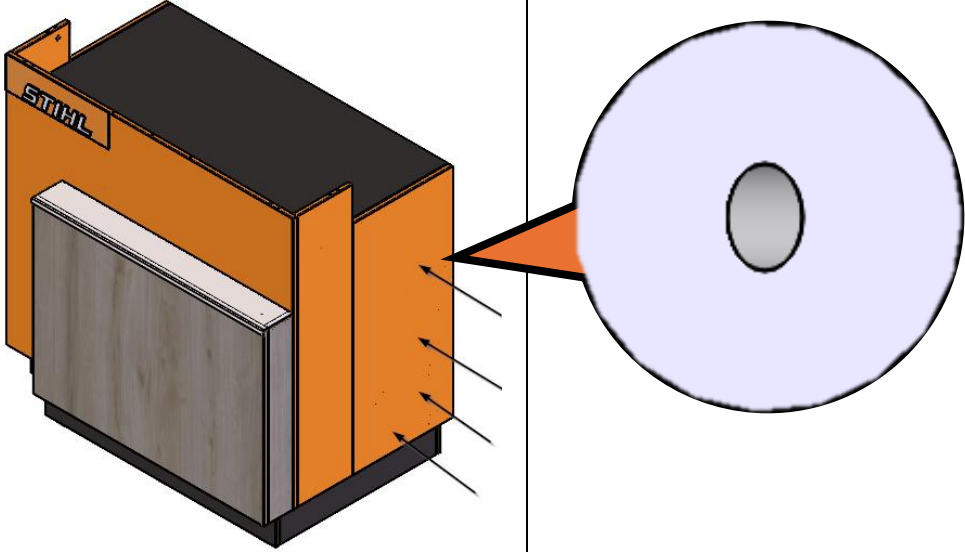
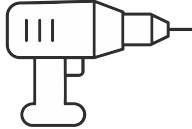
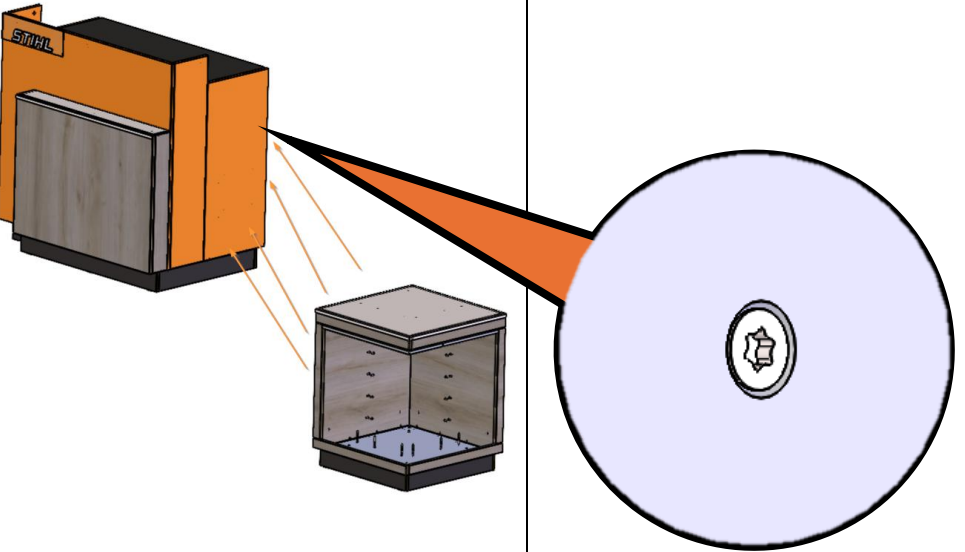
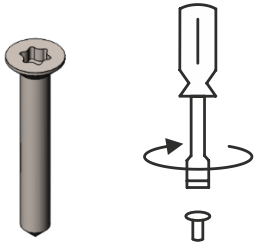
The front surface is separated downwards due to the rectification legs.



ASSEMBLY INSTRUCTIONS

0463-595-7020; 0463-595-7021; 0463-595-7022; 0463-595-7023; 0463-595-7024; 0463-595-7025;
0463-595-7026; 0463-595-7027; 0463-595-7028; 0463-595-7029; 0463-595-7015

STIHL

<p>POSITION 7 SUNDAVACI CELA</p> 		<p>Drill 8 holes (4 holes from each side) into the solid backs.</p> <p>To drill the holes through, you need to use a 5 mm drill bit.</p> 
<p>POSITION 7 + 6</p> 		<p>Fasten with four screws.</p> <p>Wood screw 4x30 DIN 7997 - 4 pcs</p> 

Assembly complete

Rearranging components in the assembly involves the same assembly procedure.

ASSEMBLY INSTRUCTIONS

0463-595-7020; 0463-595-7021; 0463-595-7022; 0463-595-7023; 0463-595-7024; 0463-595-7025;
0463-595-7026; 0463-595-7027; 0463-595-7028; 0463-595-7029; 0463-595-7015

STIHL



We make successful stores.

umdasch Story Design s.r.o.,

umdasch Story Design a.s. Moravská 949, 57001 Litomyšl, Czechia

www.umdasch.com | [A company of Umdasch Group](#)

