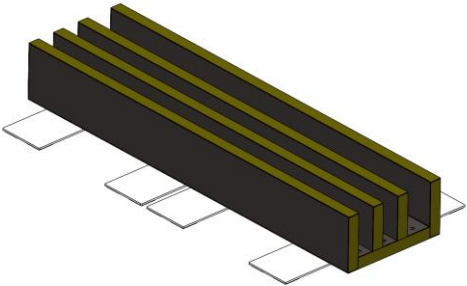
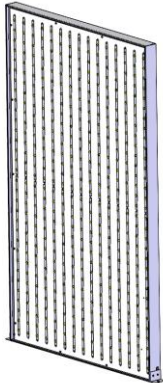
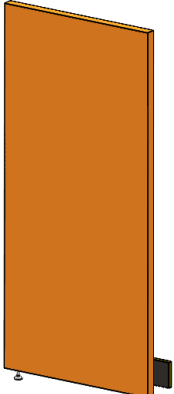
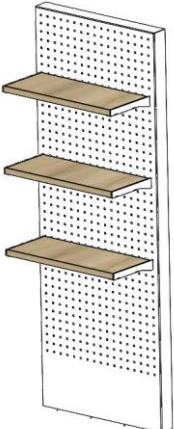


	<p>1 persons required for assembly 6 boxes with a total weight 157 kg</p>
	<p>Ivo Fryauf: <a href="mailto:ivo.fryauf@umdasch.com">ivo.fryauf@umdasch.com</a> +420724303815</p> <p>Václav Dopita: +420727861651 <a href="mailto:vaclav.dopita@umdasch.com">vaclav.dopita@umdasch.com</a></p>
	<p>Recommended protective equipment</p>
	<p>Tools required for assembly</p>

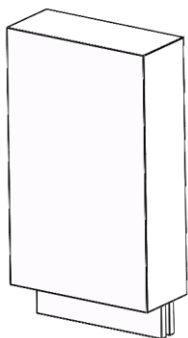
# PARTS

	<p>0463-595-7080</p>
	<p>0463-595-7085</p>
	<p>0463-595-7082</p>
	<p>0463-595-7083</p>

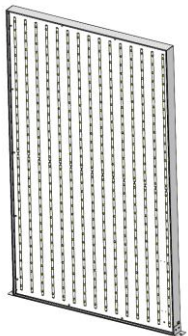
# ASSEMBLY INSTRUCTIONS

STI-6

**STIHL**

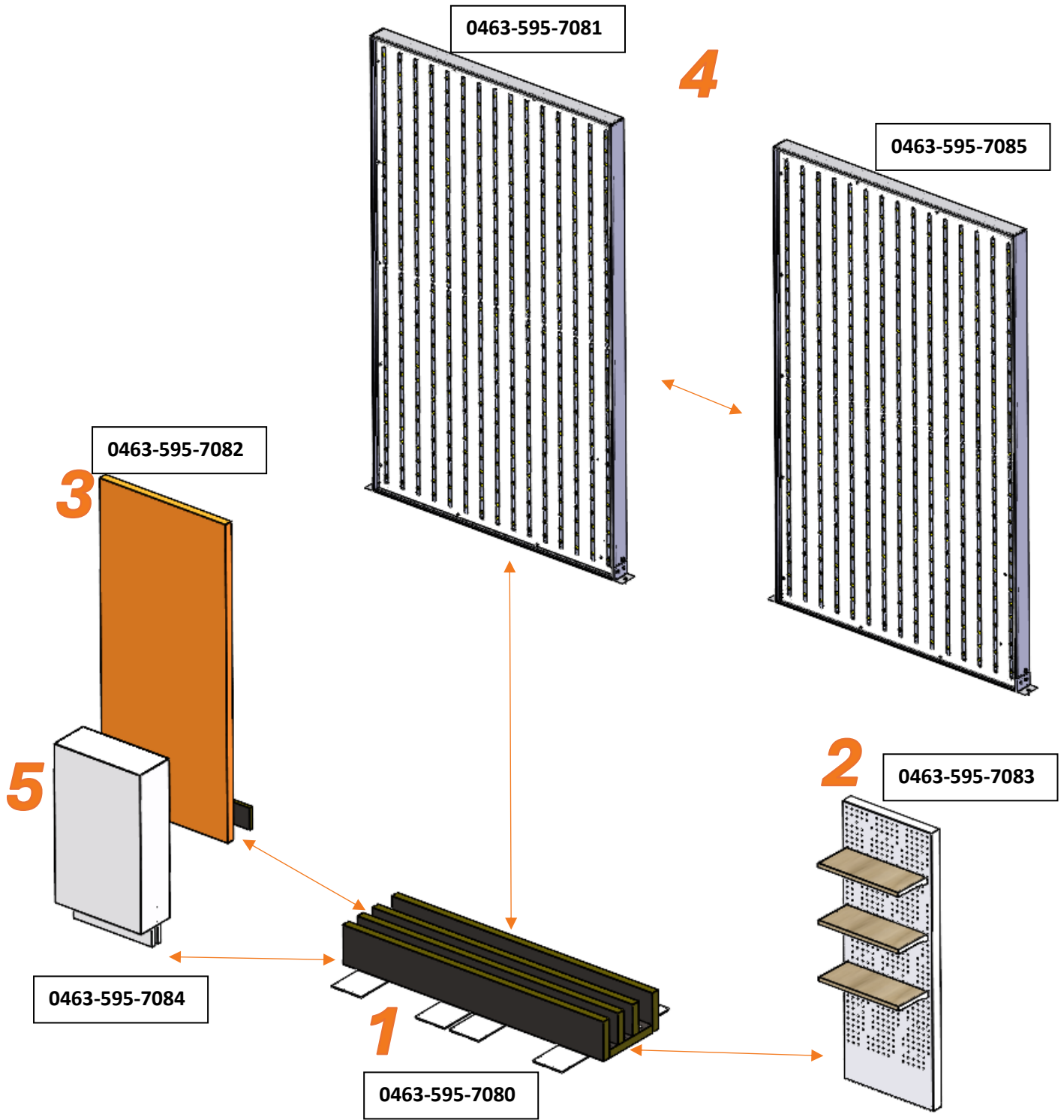


**0463-595-7084**

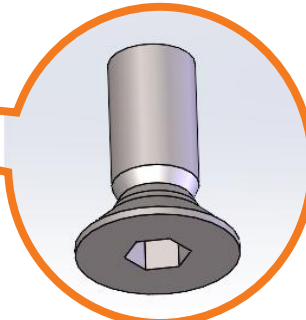
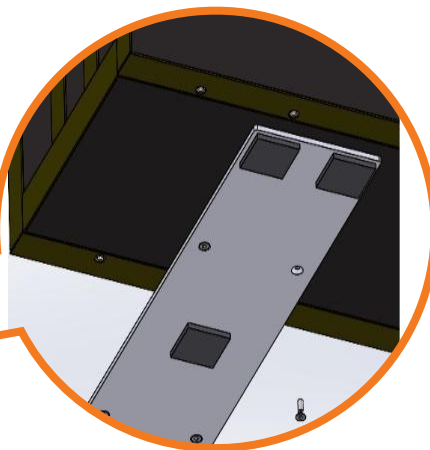
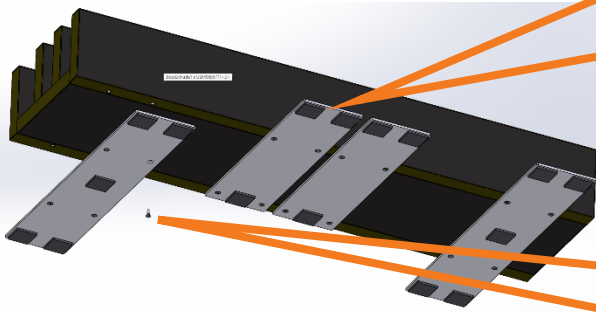


**0463-595-7081**

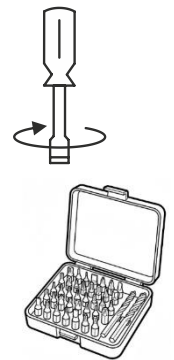




**1**

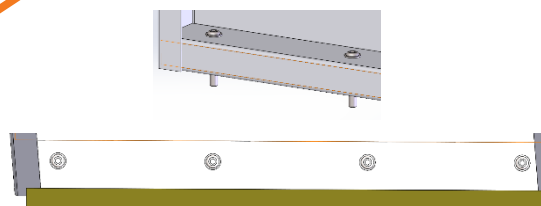
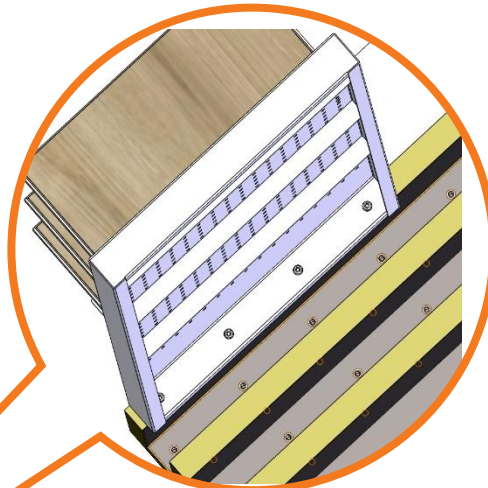
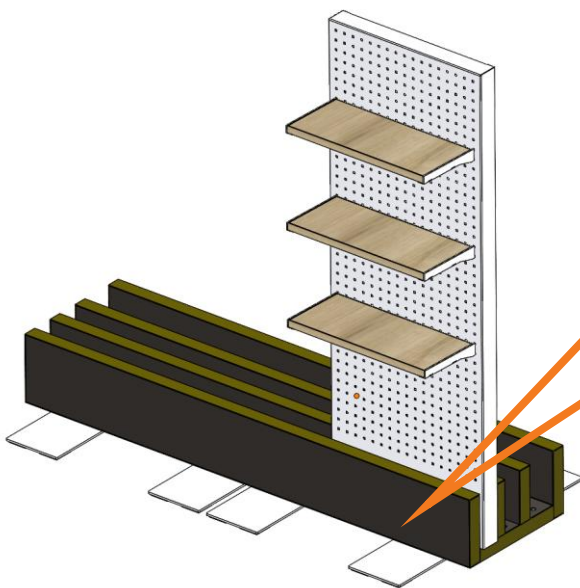


Screw M6x16 DIN 7991 - 16 pcs

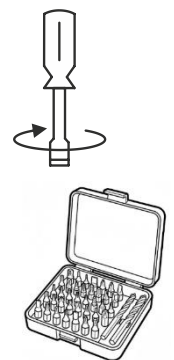


Mount plates with screws.

**2**

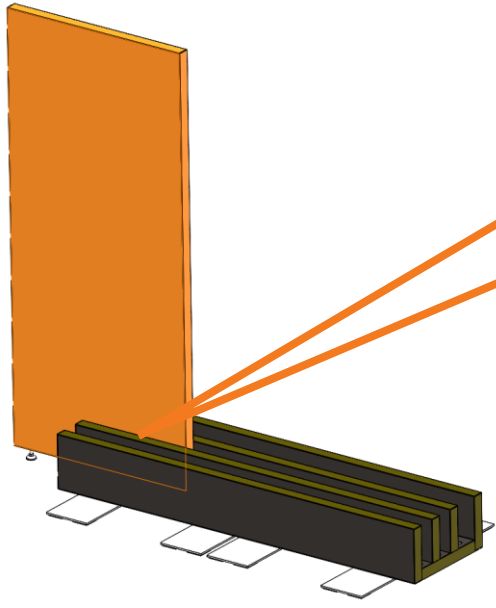
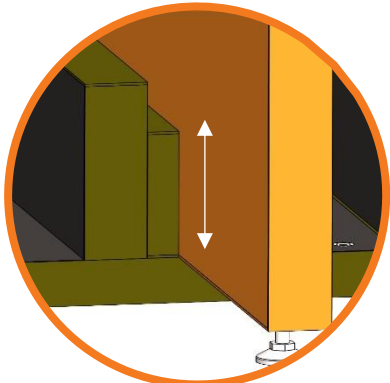

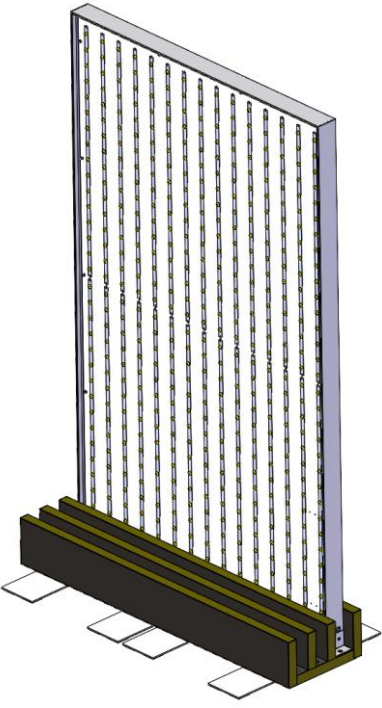
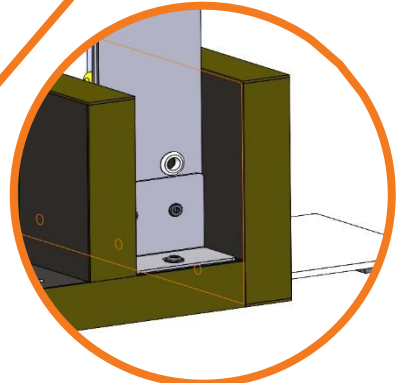
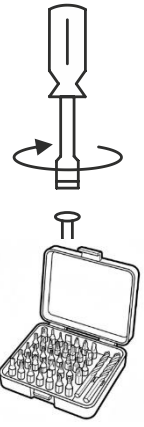


Screw M6x40 ISO 7141- 4 pcs

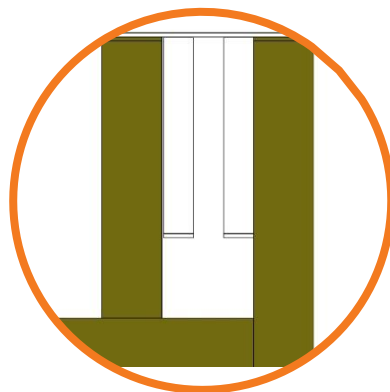
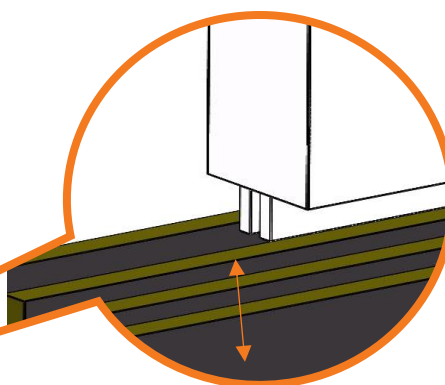
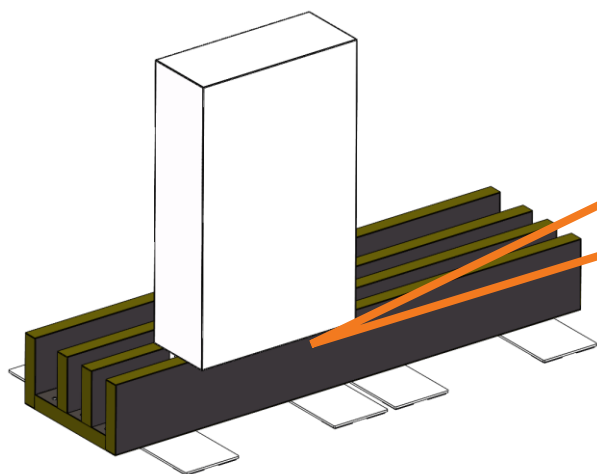


Mount panel with 4 screws to base.



<p><b>3</b></p> 		<p>Insert the main panel, then insert the panel as a lock</p> 
<p><b>4</b></p> 		 <p>Mount it with 2 screws to base</p> <p>M6x20 BN 11252</p>

**5**



Freely  
inserted into  
the frame.





**We make successful stores.**

**umdasch Story Design s.r.o.,**

---

umdasch Story Design a.s. Moravská 949, 57001 Litomyšl, Czechia  
[www.umdasch.com](http://www.umdasch.com) |

