

ASSEMBLY INSTRUCTIONS

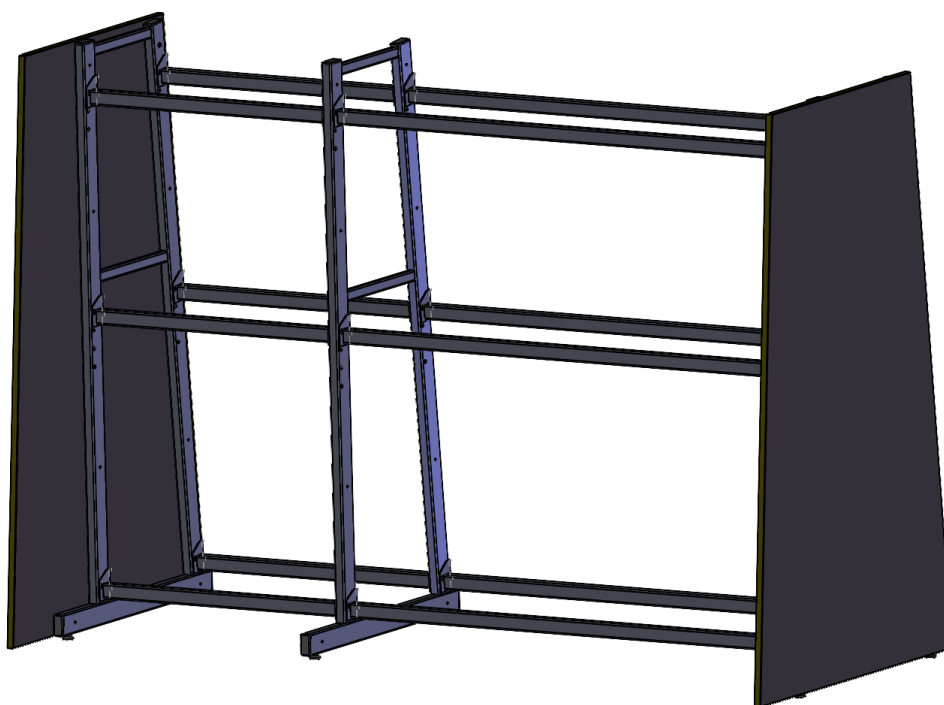
0463-595-7050; 0463-595-7051; 0463-595-7052; 0463-595-7060

STIHL

VARIANT 1[®]



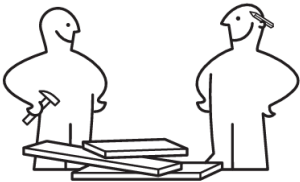


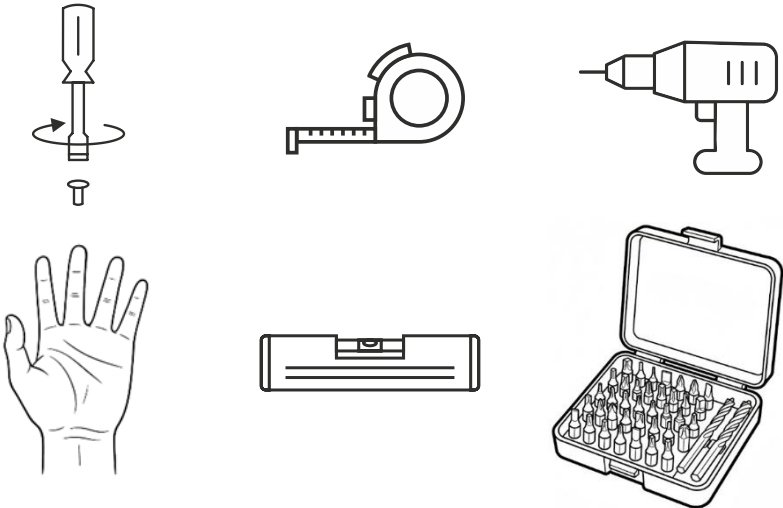
VARIANT 2[®]



ASSEMBLY INSTRUCTIONS

0463-595-7050; 0463-595-7051; 0463-595-7052; 0463-595-7060



	<p>2 persons required for assembly</p>
	<p>Ivo Fryauf: ivo.fryauf@umdasch.com +420724303815</p> <p>Václav Dopita: vaclav.dopita@umdasch.com +420727861651</p>
	<p>Recommended protective equipment</p>
	<p>Tools required for assembly</p>



ASSEMBLY INSTRUCTIONS

0463-595-7050; 0463-595-7051; 0463-595-7052; 0463-595-7060

STIHL

VARIANT 1[®]



1



Plain stand, without any additional modifications.

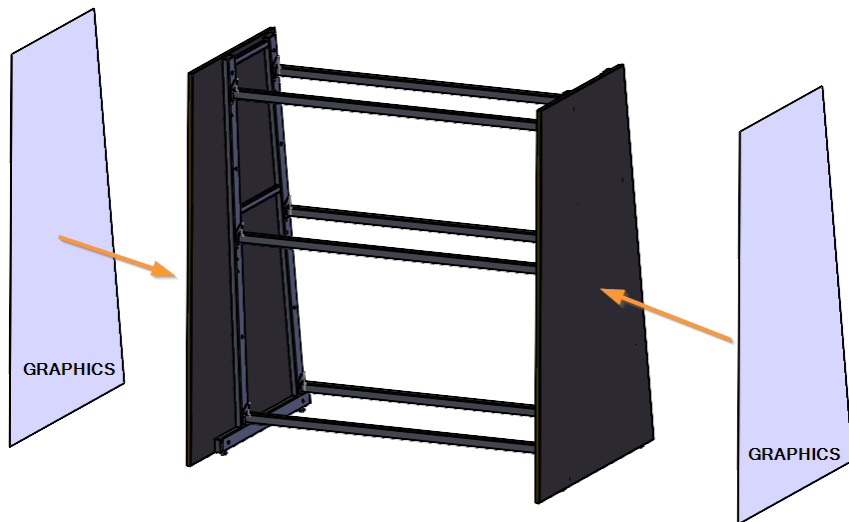


ASSEMBLY INSTRUCTIONS

0463-595-7050; 0463-595-7051; 0463-595-7052; 0463-595-7060

STIHL

2



Place the graphics on each side of the side panel.

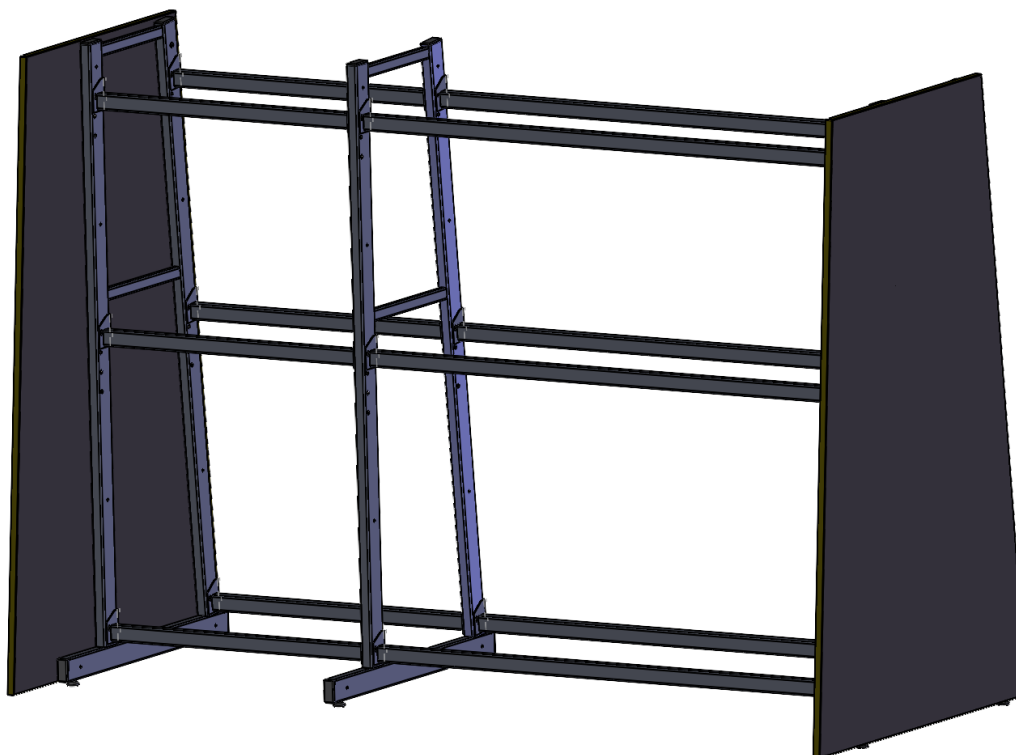


ASSEMBLY INSTRUCTIONS

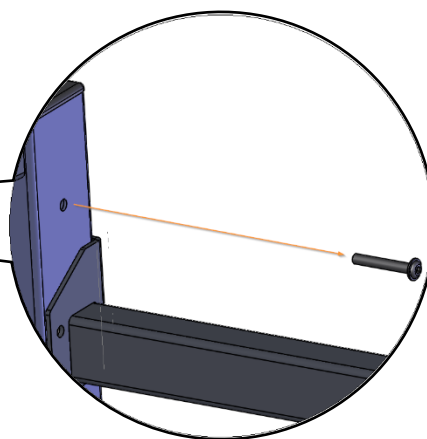
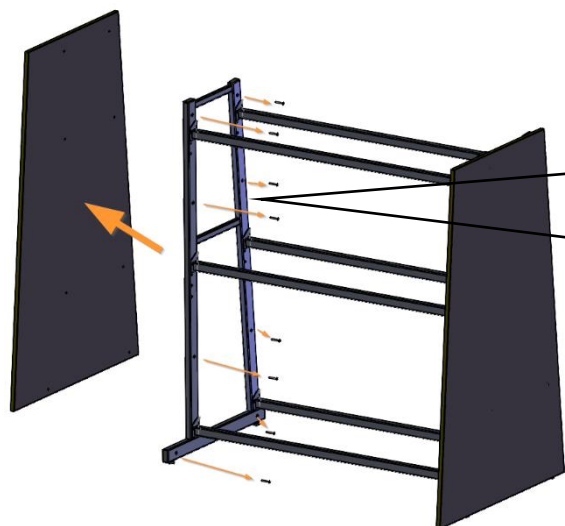
0463-595-7050; 0463-595-7051; 0463-595-7052; 0463-595-7060

STIHL

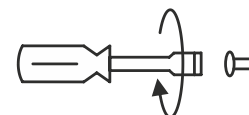
VARIANT 2[®]



1



Unscrew 8 screws from the inside and remove the side panel.

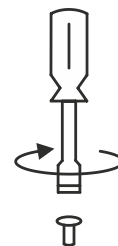
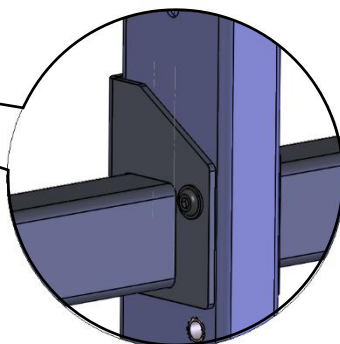
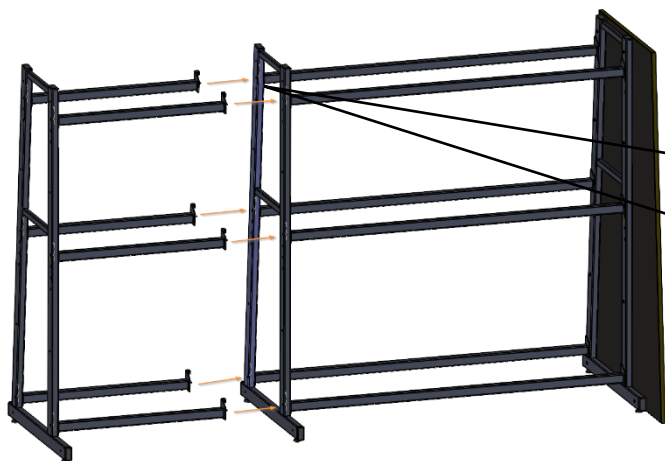


ASSEMBLY INSTRUCTIONS

0463-595-7050; 0463-595-7051; 0463-595-7052; 0463-595-7060



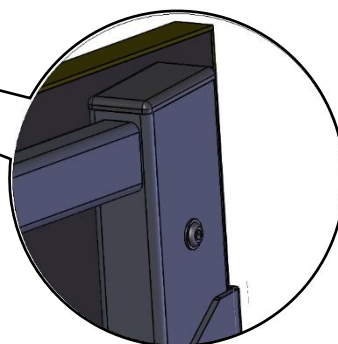
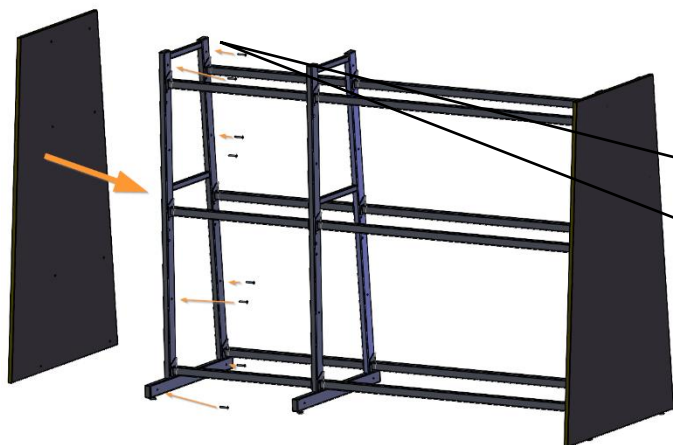
2



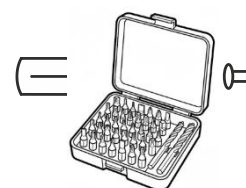
Screw the additional module onto the second frame with 8 screws.



3



Screw the side panel to the inside of the additional module with 8 screws.

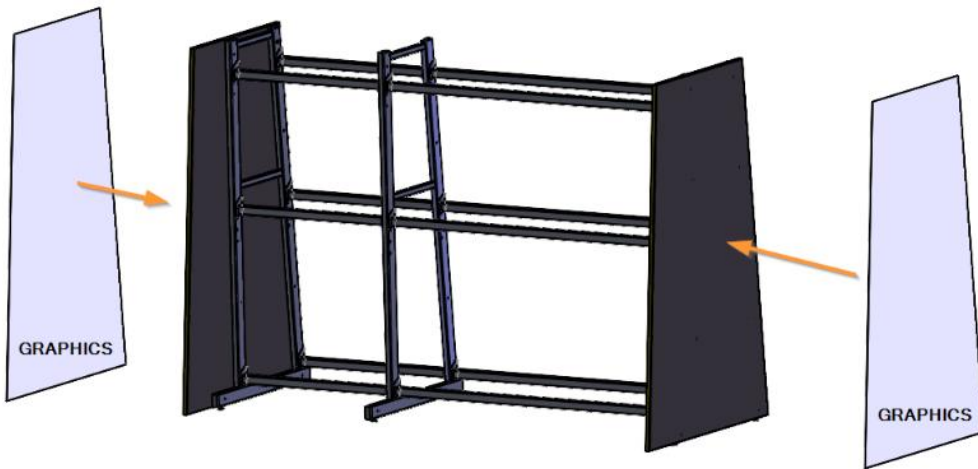


ASSEMBLY INSTRUCTIONS

0463-595-7050; 0463-595-7051; 0463-595-7052; 0463-595-7060

STIHL

4



Place the graphics on each side of the side panel.



ASSEMBLY INSTRUCTIONS

0463-595-7050; 0463-595-7051; 0463-595-7052; 0463-595-7060

STIHL



We make successful stores.

umdasch Story Design s.r.o.,

umdasch Story Design a.s. Moravská 949, 57001 Litomyšl, Czechia

www.umdasch.com | [A company of Umdasch Group](#)

