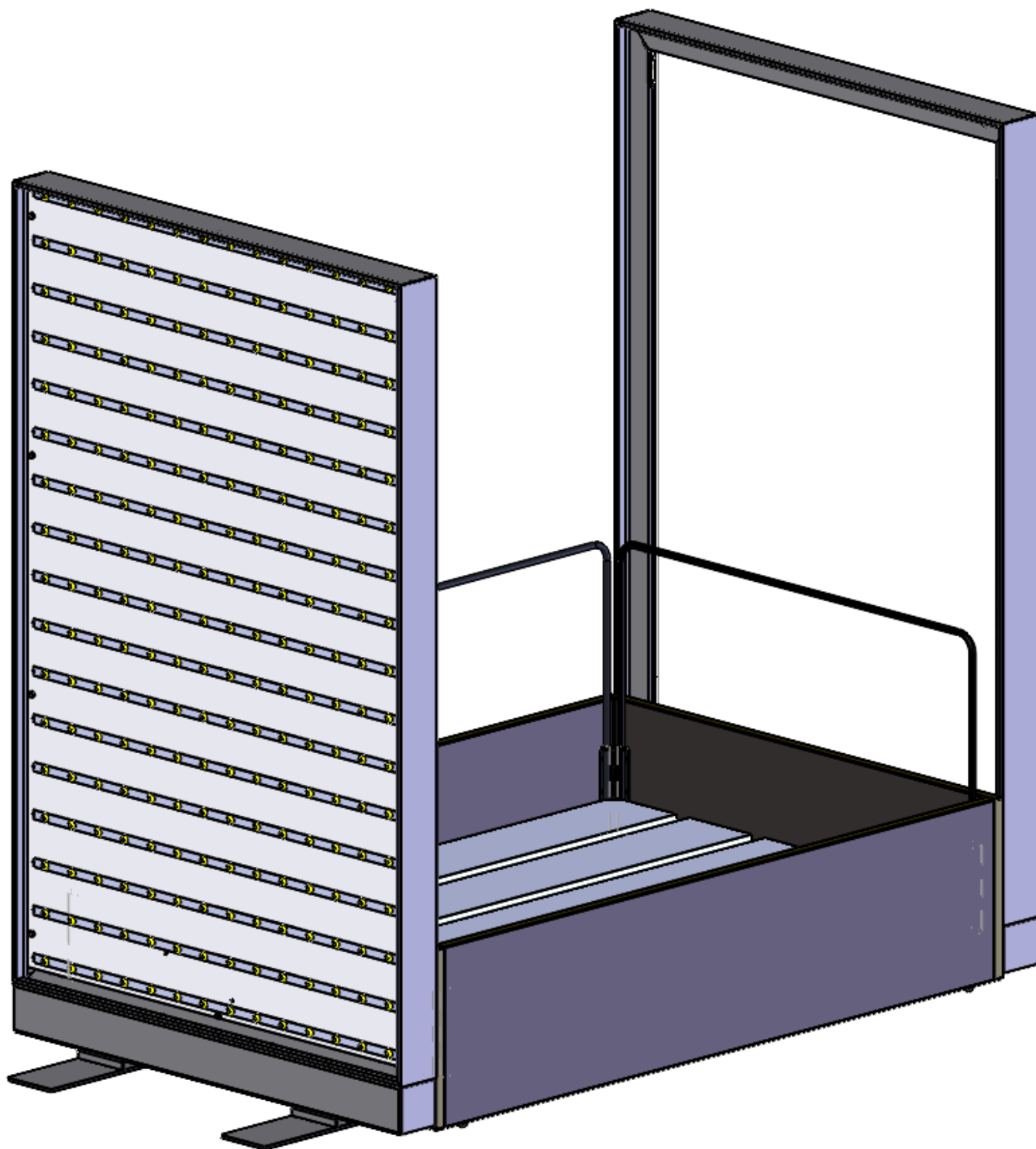


ASSEMBLY INSTRUCTIONS

0463-595-7047; 0463-595-7053; 0463-595-7054

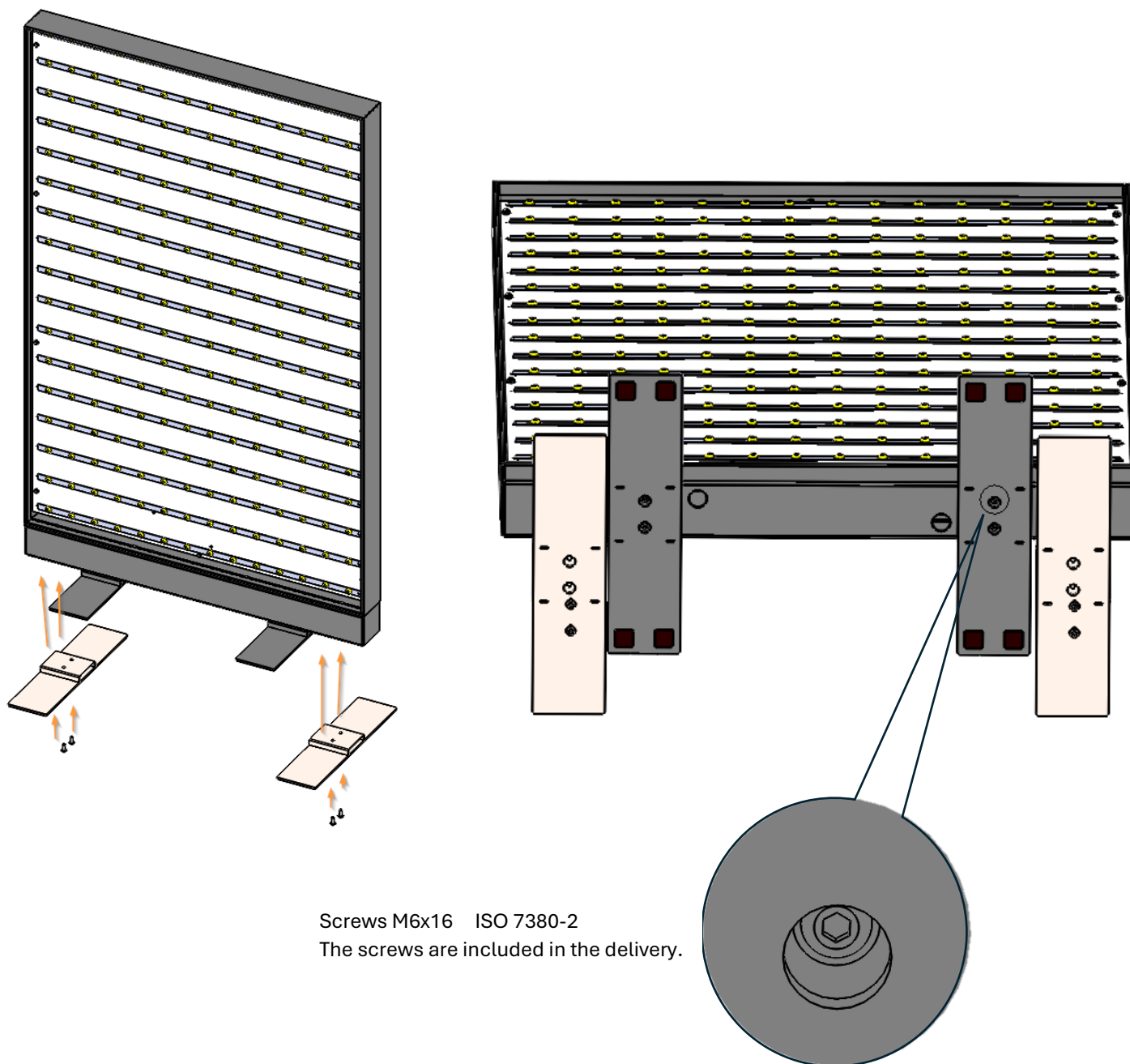
STIHL



2 boxes plus loose-packed parts, total weight 85 kg

ASSEMBLY INSTRUCTIONS

0463-595-7047; 0463-595-7053; 0463-595-7054



Screws M6x16 ISO 7380-2
The screws are included in the delivery.

There are two ways to position the legs.

Method 1: Grey legs (closer together) are used when the stands are placed next to pallet 0463-595-7047.

Method 2: White legs (further apart) are used when the stands are placed in open space.

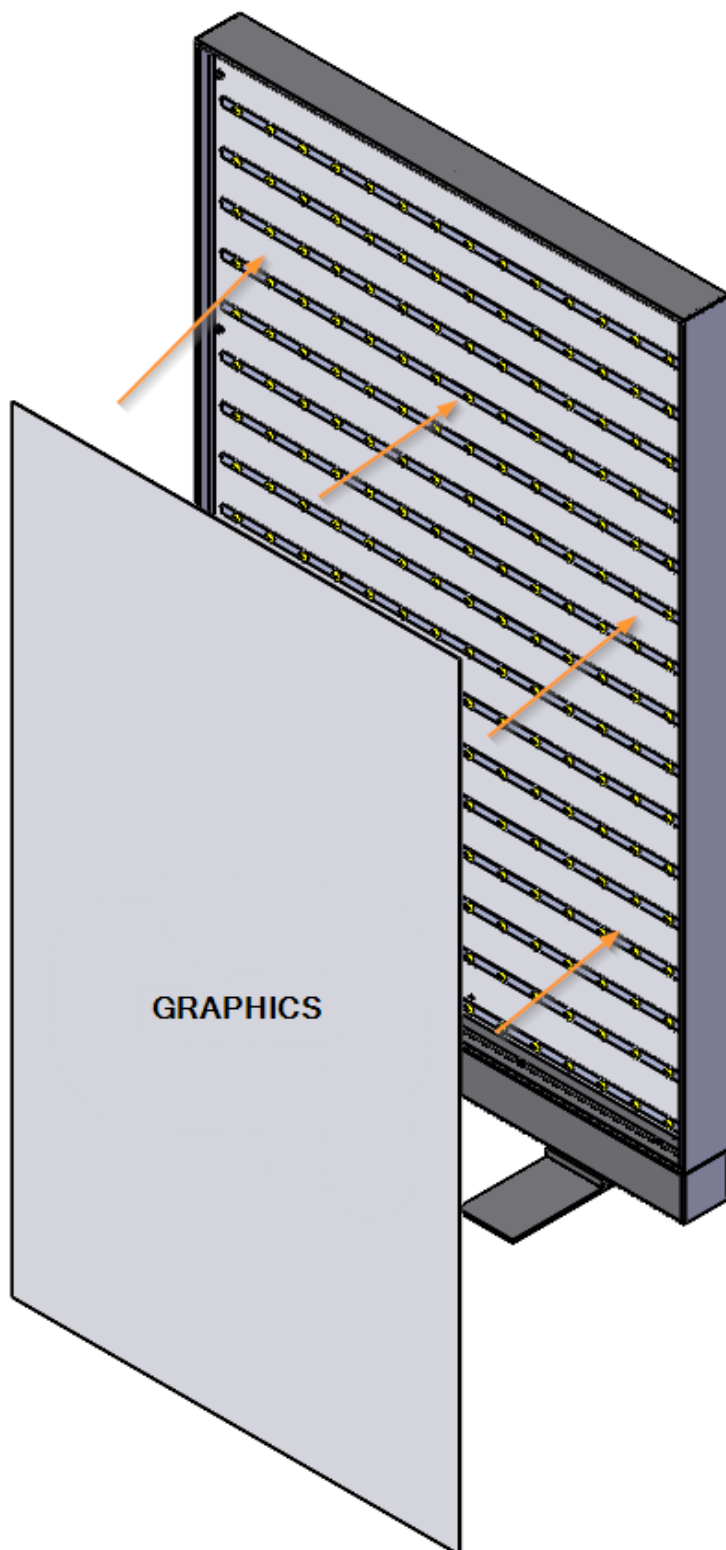


ASSEMBLY INSTRUCTIONS

[0463-595-7047](#); [0463-595-7053](#); [0463-595-7054](#)

STIHL

Place the graphic canvas on both stands (0463-595-7053 + 0463-595-7054).

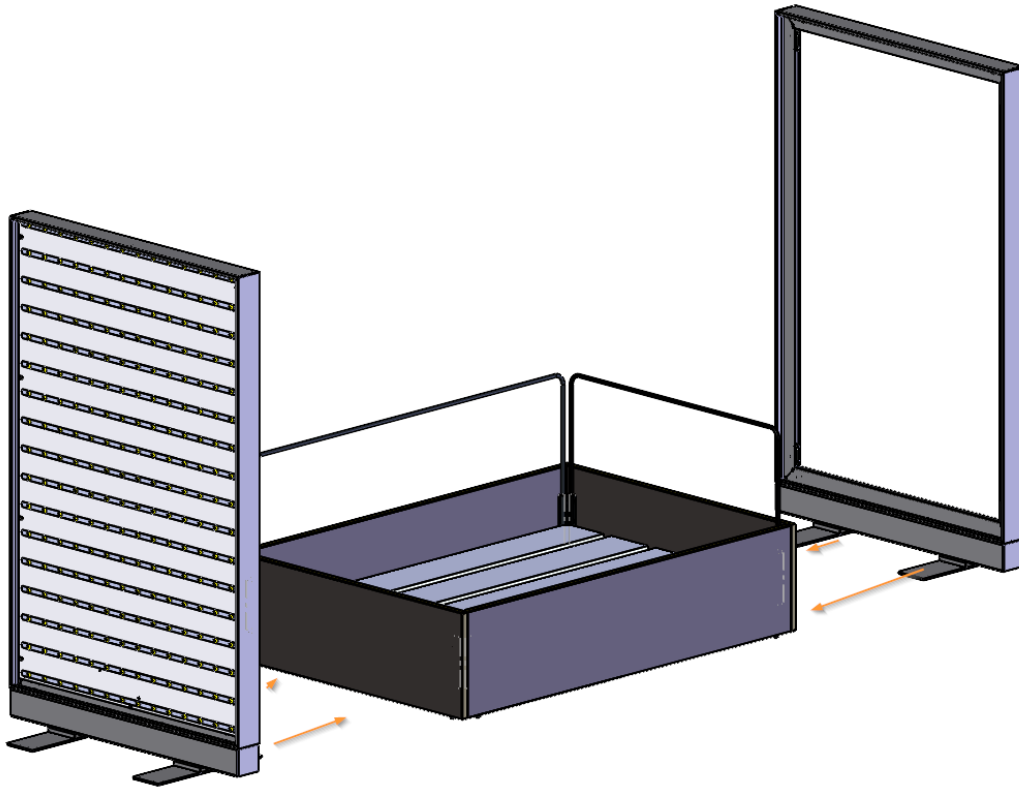


ASSEMBLY INSTRUCTIONS

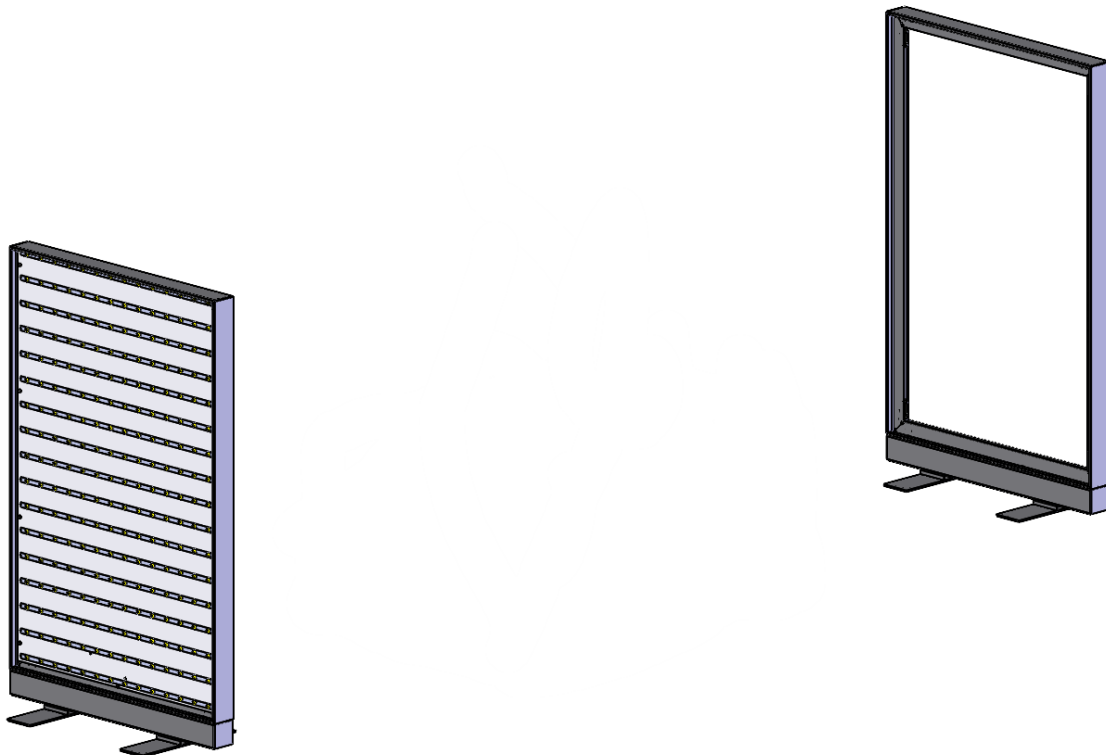
0463-595-7047; 0463-595-7053; 0463-595-7054



Method 1: Placement of the stands next to the pallet:



Method 2: Placement of the stands in open space (stand legs further apart):



ASSEMBLY INSTRUCTIONS

0463-595-7047; 0463-595-7053; 0463-595-7054

STIHL



We make successful stores.

umdasch Story Design s.r.o.,

umdasch Story Design a.s. Moravská 949, 57001 Litomyšl, Czechia

www.umdasch.com | [A company of Umdasch Group](#)

